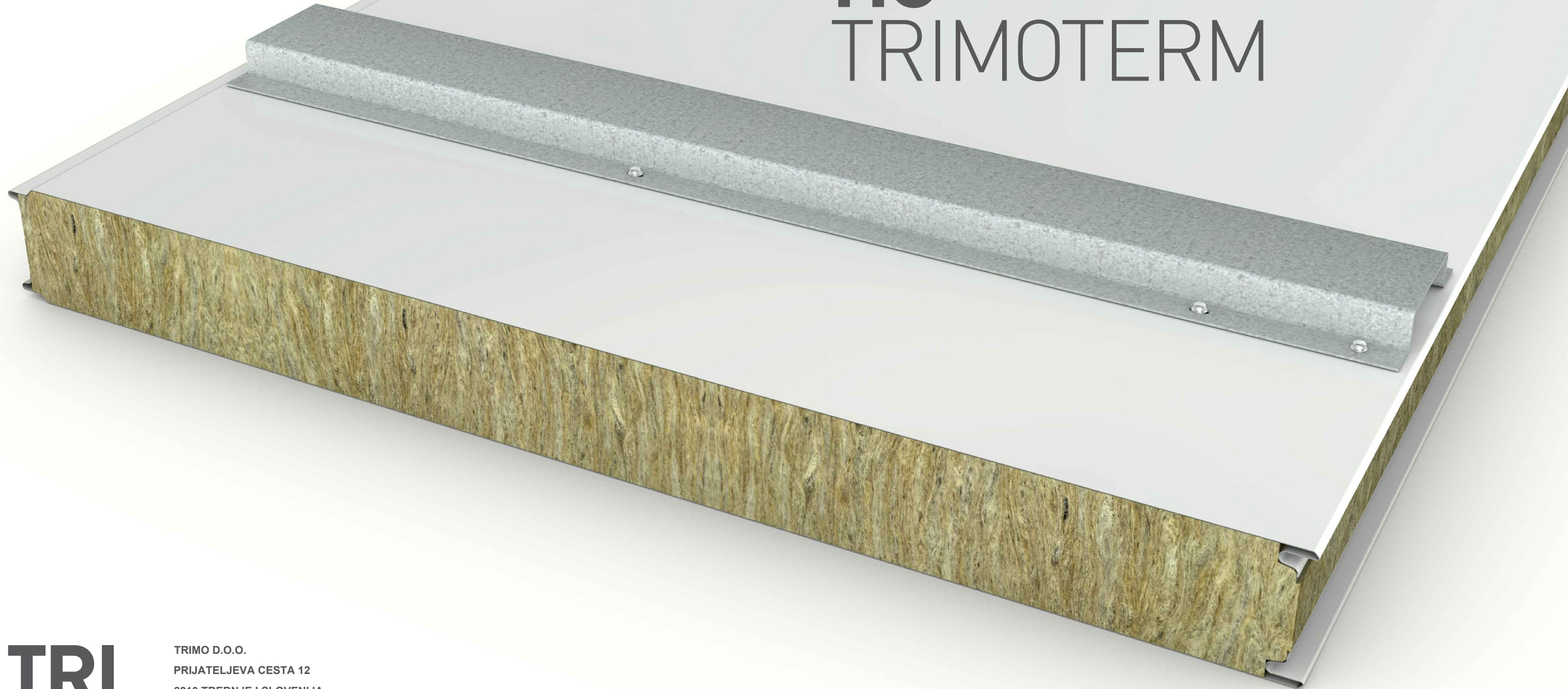


# TRIMO TRIMOTERM



# TRIMO

TRIMO D.O.O.  
PRIJATELJEVA CESTA 12  
8210 TREBNJE | SLOVENIJA  
T: +386 (0)7 34 60 200  
F: +386 (0)7 34 60 127  
E: TRIMO@TRIMO-GROUP.COM  
W: WWW.TRIMO-GROUP.COM

## ARCHITECTURAL DETAILS BACKING-WALL INSULATED FACADE SYSTEM TRIMOTERM FTV

Trimo Group holds full copyrights on the information and details provided on this media, therefore any unauthorized reproduction and distribution is strictly prohibited. Professional care has been taken to ensure that information/details are accurate, correct, complete and not misleading. However, Trimo (including its subsidiaries) does not accept responsibility or liability for errors or information which is found to be misleading. Information/details on this media are for general purposes only. Use of it is on your own initiative and responsibility for compliance with local laws is yours. Any deviations in details and project solutions are user responsibility. In no event, will Trimo be liable for any loss or damage including without limitation, indirect or consequential loss or damage, or any loss or damage whatsoever arising from loss profits arising out of or in connection with, the use of this media. All information issued by Trimo Group is subject to continuous development and information/details contained on this media are current at date of issue. It is user's responsibility to obtain most up-to-date information from Trimo when information/details are used for project.

The last version of the document is available on [www.trimo-group.com](http://www.trimo-group.com). Latest version of published document in English language prevails over other translated language documents.

For information about the delivery of panels see Trimo's General conditions. <https://trimo-group.com/en/trimo/general-conditions-of-sale>

**HORIZONTAL  
INSTALLATION**

**TRIMOTERM  
FTV**

**FUNCTION**

- FIRE - fire-resistant system
- FOOGIENE - food & hygiene system
- BASE - backing-wall system

**APPLICATION**

- External Facade
- Internal Wall
- Flat Roof
- External Soffit
- Internal Ceiling
- Pitched Roof

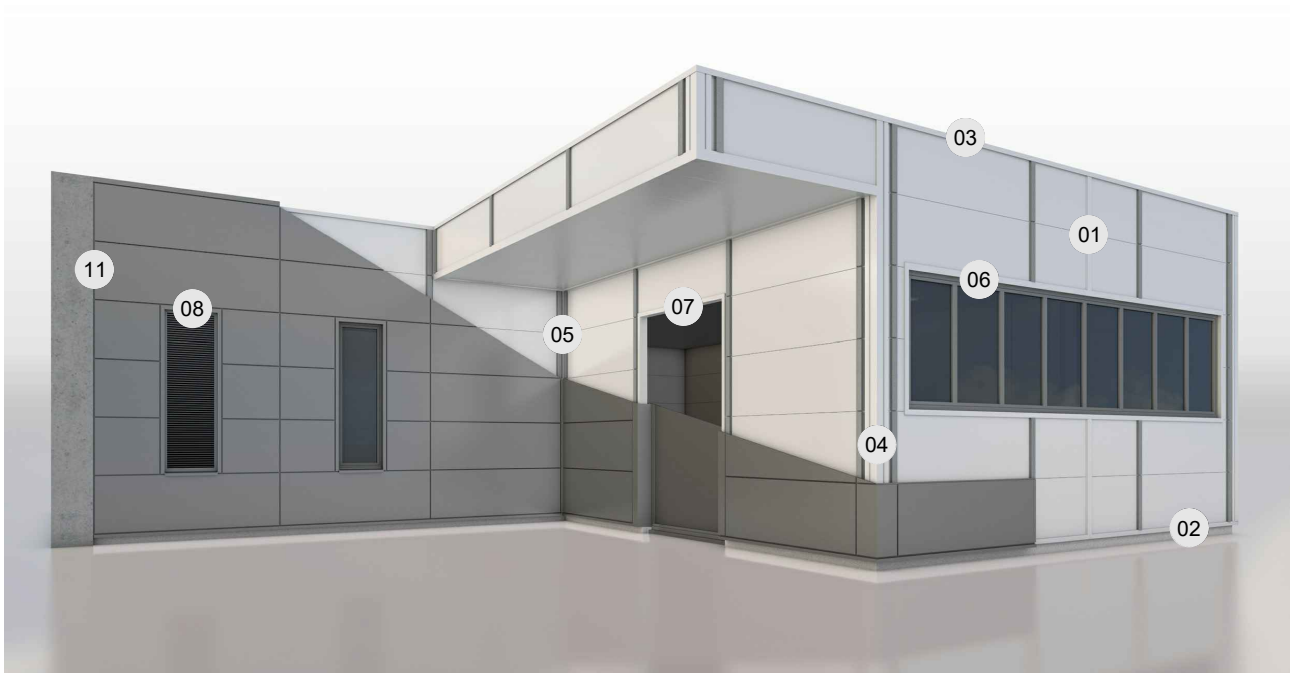


CAD download centre



BIM download centre

- TE-H-01 JOINT
- TE-H-02 BASE
- TE-H-03 PARAPET
- TE-H-04 EXTERNAL CORNER
- TE-H-05 INTERNAL CORNER
- TE-H-06 WINDOW
- TE-H-07 DOOR
- TE-H-08 PENETRATION
- TE-H-11 OTHER SYSTEM CONNECTION



**SCHEME**

Trimo Group holds full copyrights on the information and details provided on this media, therefore any unauthorized reproduction and distribution is strictly prohibited.



HORIZONTAL INSTALLATION

FUNCTION

- FIRE - fire-resistant system
- FOOGIENE - food & hygiene system
- BASE - backing-wall system

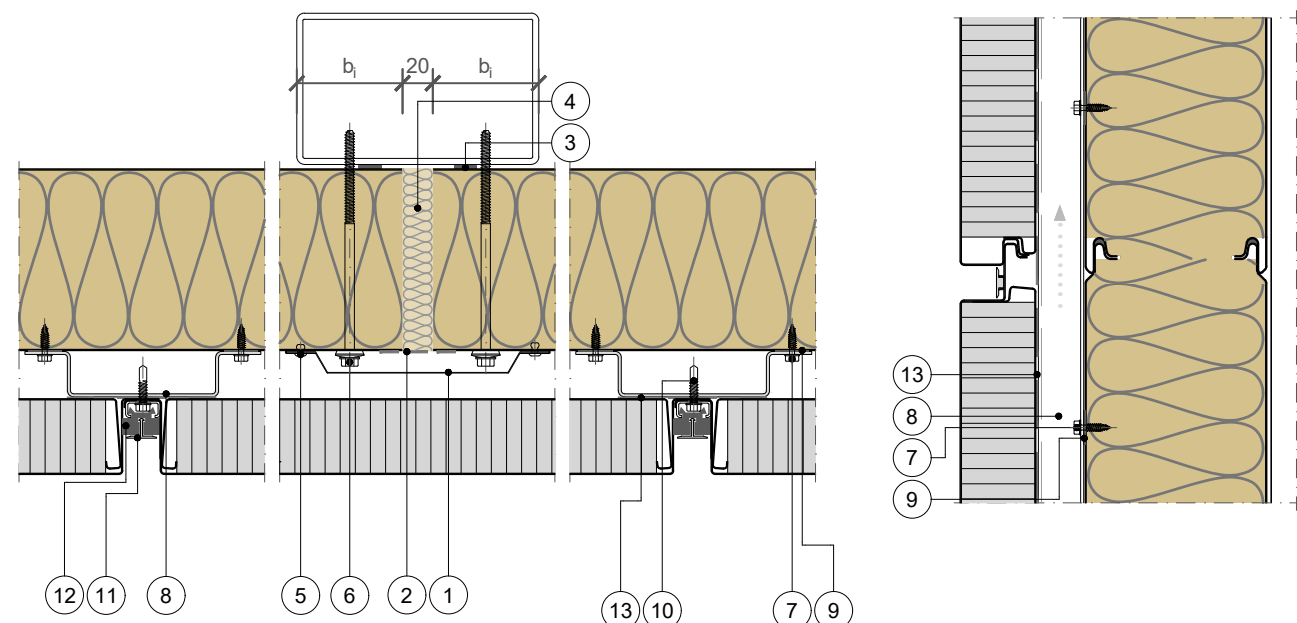
APPLICATION

- External Facade
- Internal Wall
- Flat Roof
- External Soffit
- Internal Ceiling
- Pitched Roof

TRIMOTERM FTV

HORIZONTAL CUT

VERTICAL CUT



NOTE

- The minimum required contact surface (b/i) is defined by structural calculation and minimal possible is 40 mm.

POS.	ELEMENTS	SCALE: M 1:5
1	Joint flashing	
2	Butyl tape on the aluminium foil	
3	Self adhesive sealing tape PE	
4	Thermal insulation	
5	Blind rivet	
6	Panel fixing screw	
7	Rail fixing screw	
8	Omega rail	
9	Self adhesive sealing tape EPDM	
10	Fixing screw - The type of screw depends on the material of the substructure (wind load)	
11	Decorative profile HF40 - recessed look of transversal joint	
12	Transversal gasket	
13	Separation layer	

JOINT

Trimo Group holds full copyrights on the information and details provided on this media, therefore any unauthorized reproduction and distribution is strictly prohibited.



HORIZONTAL INSTALLATION

FUNCTION

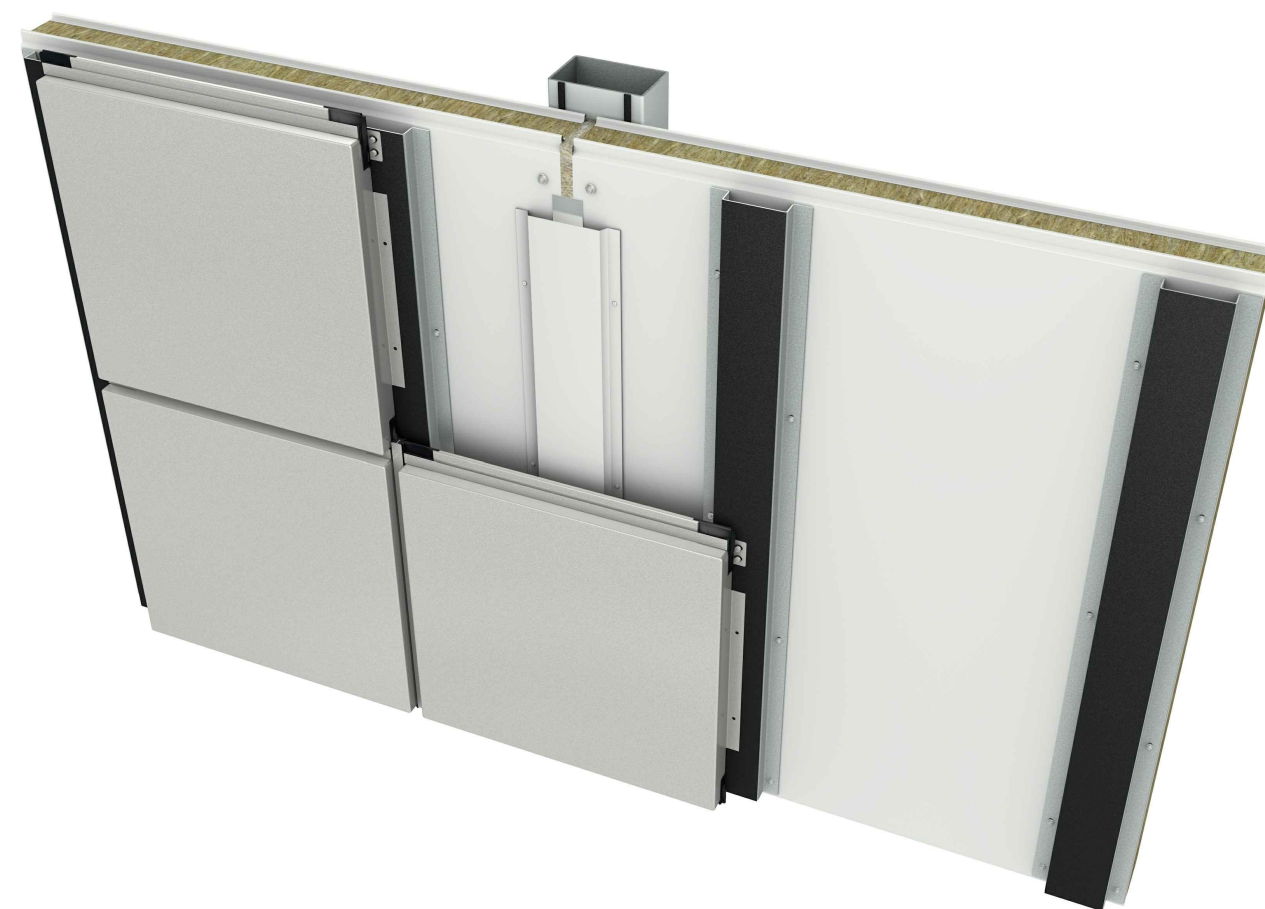
- FIRE - fire-resistant system
- FOOGIENE - food & hygiene system
- BASE - backing-wall system

APPLICATION

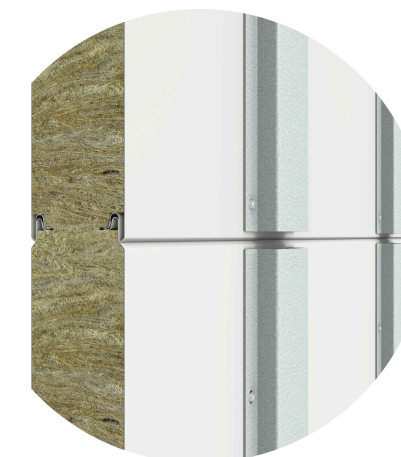
- External Facade
- Internal Wall
- Flat Roof
- External Soffit
- Internal Ceiling
- Pitched Roof

TRIMOTERM FTV

DETAIL VIEW



FOCUS VIEW



ADVANTAGES

- Compatibility with various final cladding with load up to 60kg/m<sup>2</sup>
- Prefabrication
- Tolerances flexibility
- Fast installation

JOINT

Trimo Group holds full copyrights on the information and details provided on this media, therefore any unauthorized reproduction and distribution is strictly prohibited.



HORIZONTAL INSTALLATION

TRIMOTERM FTV

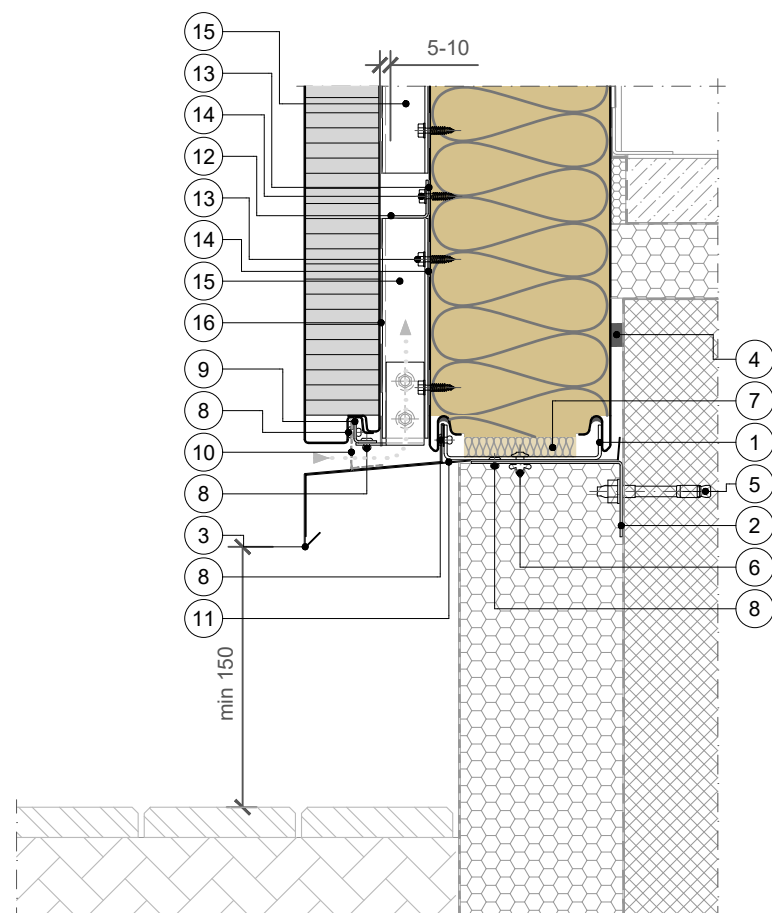
FUNCTION

- FIRE - fire-resistant system
- FOOGIENE - food & hygiene system
- BASE - backing-wall system

APPLICATION

- External Facade
- Internal Wall
- Flat Roof
- External Soffit
- Internal Ceiling
- Pitched Roof

VERTICAL CUT



POS.	ELEMENTS	SCALE: M 1:5
1	Panel holder	
2	Support profile	
3	Drip flashing	
4	Self adhesive pre compressed sealing tape	
5	Anchor bolt	
6	Bulb tite rivet	
7	Thermal insulation	
8	Blind rivet	
9	Cladding element holder	
10	Perforated metal sheet	
11	Base flashing	
12	Fire barrier	
13	Fixing screw	
14	Self adhesive sealing tape EPDM	
15	Omega rail	
16	Separation layer	

BASE

Trimo Group holds full copyrights on the information and details provided on this media, therefore any unauthorized reproduction and distribution is strictly prohibited.



HORIZONTAL INSTALLATION

TRIMOTERM FTV

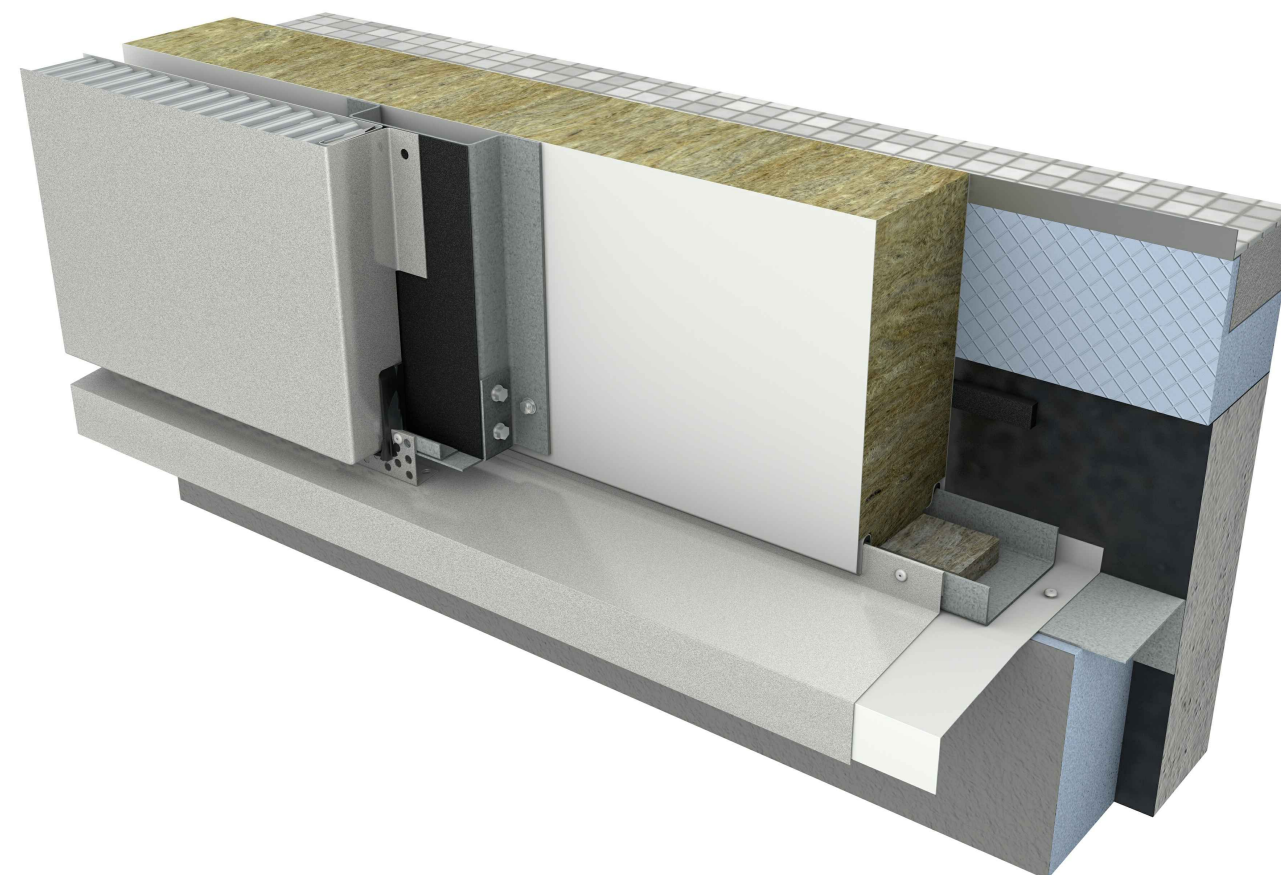
FUNCTION

- FIRE - fire-resistant system
- FOOGIENE - food & hygiene system
- BASE - backing-wall system

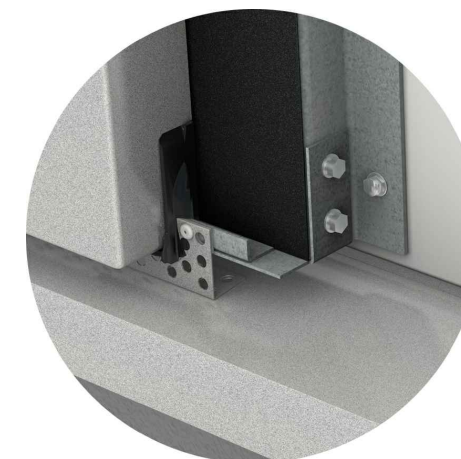
APPLICATION

- External Facade
- Internal Wall
- Flat Roof
- External Soffit
- Internal Ceiling
- Pitched Roof

DETAIL VIEW



FOCUS VIEW



ADVANTAGES

- Compatibility with various final cladding with load up to 60kg/m<sup>2</sup>
- Prefabrication
- Tolerances flexibility
- Fast installation

BASE

Trimo Group holds full copyrights on the information and details provided on this media, therefore any unauthorized reproduction and distribution is strictly prohibited.



HORIZONTAL INSTALLATION

FUNCTION

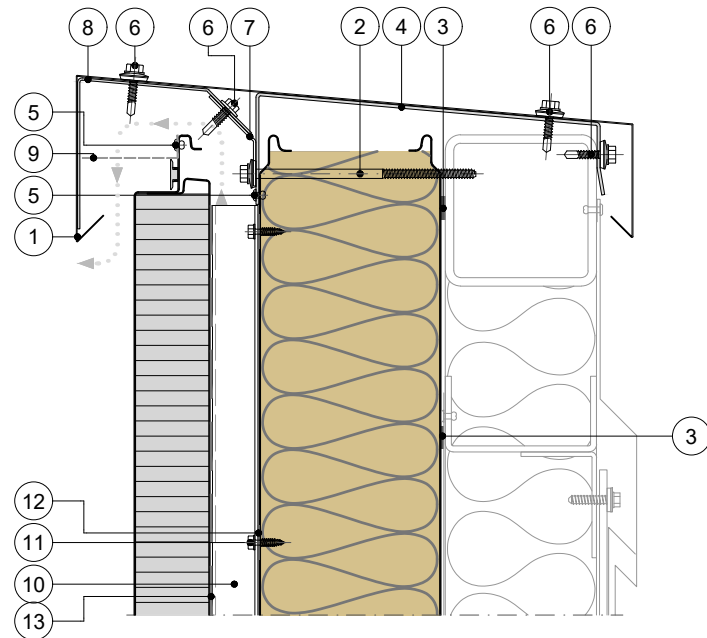
- FIRE - fire-resistant system
- FOOGIENE - food & hygiene system
- BASE - backing-wall system

APPLICATION

- External Facade
- Internal Wall
- Flat Roof
- + External Soffit
- + Internal Ceiling
- Pitched Roof

TRIMOTERM FTV

VERTICAL CUT



POS.	ELEMENT	SCALE: M 1:5
1	Parapet cap	
2	Panel fixing screw	
3	Self adhesive sealing tape PE	
4	Parapet cap support profile	
5	Blind rivet	
6	Fixing screw	
7	Fixing profile	
8	Parapet cap support profile	
9	Perforated metal sheet	
10	Omega rail	
11	Fixing screw	
12	Self adhesive sealing tape EPDM	
13	Separation layer	



HORIZONTAL INSTALLATION

FUNCTION

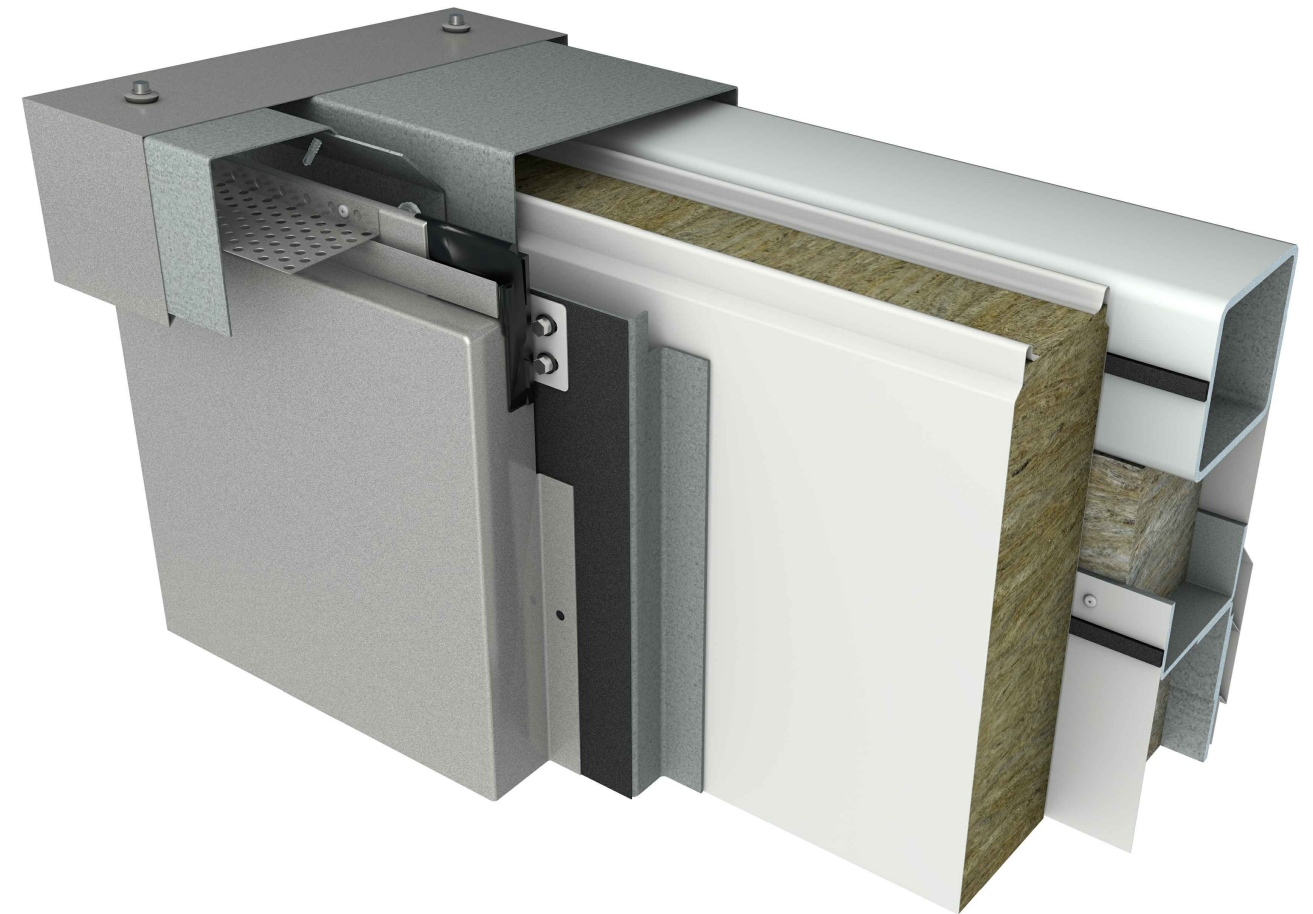
- FIRE - fire-resistant system
- FOOGIENE - food & hygiene system
- BASE - backing-wall system

APPLICATION

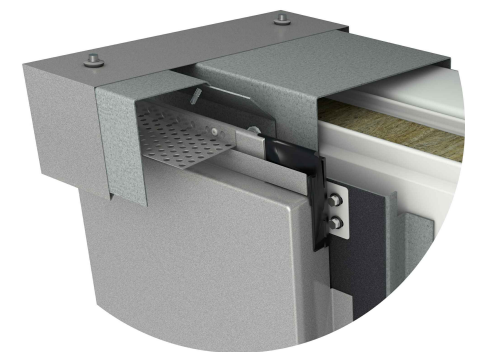
- External Facade
- Internal Wall
- Flat Roof
- + External Soffit
- + Internal Ceiling
- Pitched Roof

TRIMOTERM FTV

DETAIL VIEW



FOCUS VIEW



ADVANTAGES

- Compatibility with various final cladding with load up to 60kg/m<sup>2</sup>
- Prefabrication
- Tolerances flexibility
- Fast installation



HORIZONTAL INSTALLATION

TRIMOTERM FTV

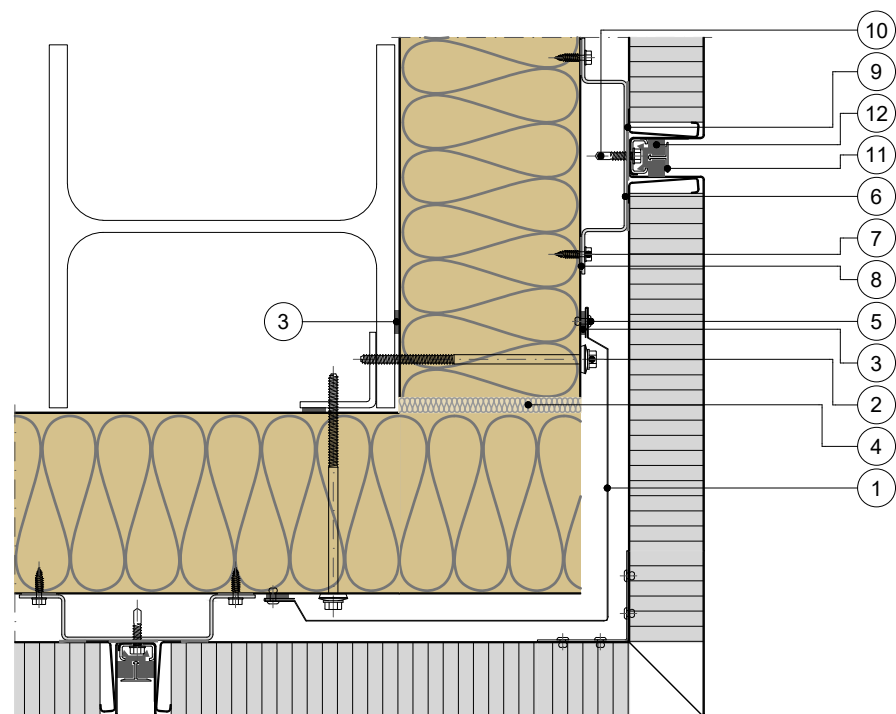
FUNCTION

- FIRE - fire-resistant system
- FOOGIENE - food & hygiene system
- BASE - backing-wall system

APPLICATION

- External Facade
- Internal Wall
- Flat Roof
- External Soffit
- Internal Ceiling
- Pitched Roof

HORIZONTAL CUT



POS.	ELEMENTS	SCALE: M 1:5
1	Corner flashing	
2	Panel fixing screw	
3	Self adhesive sealing tape PE	
4	Thermal insulation	
5	Blind rivet	
6	Omega rail	
7	Rail fixing screw	
8	Self adhesive sealing tape EPDM	
9	Separation layer	
10	Fixing screw - The type of screw depends on the material of the substructure (wind load)	
11	Decorative profile HF40 - recessed look of transversal joint	
12	Transversal gasket	

EXTERNAL CORNER

Trimo Group holds full copyrights on the information and details provided on this media, therefore any unauthorized reproduction and distribution is strictly prohibited.



HORIZONTAL INSTALLATION

TRIMOTERM FTV

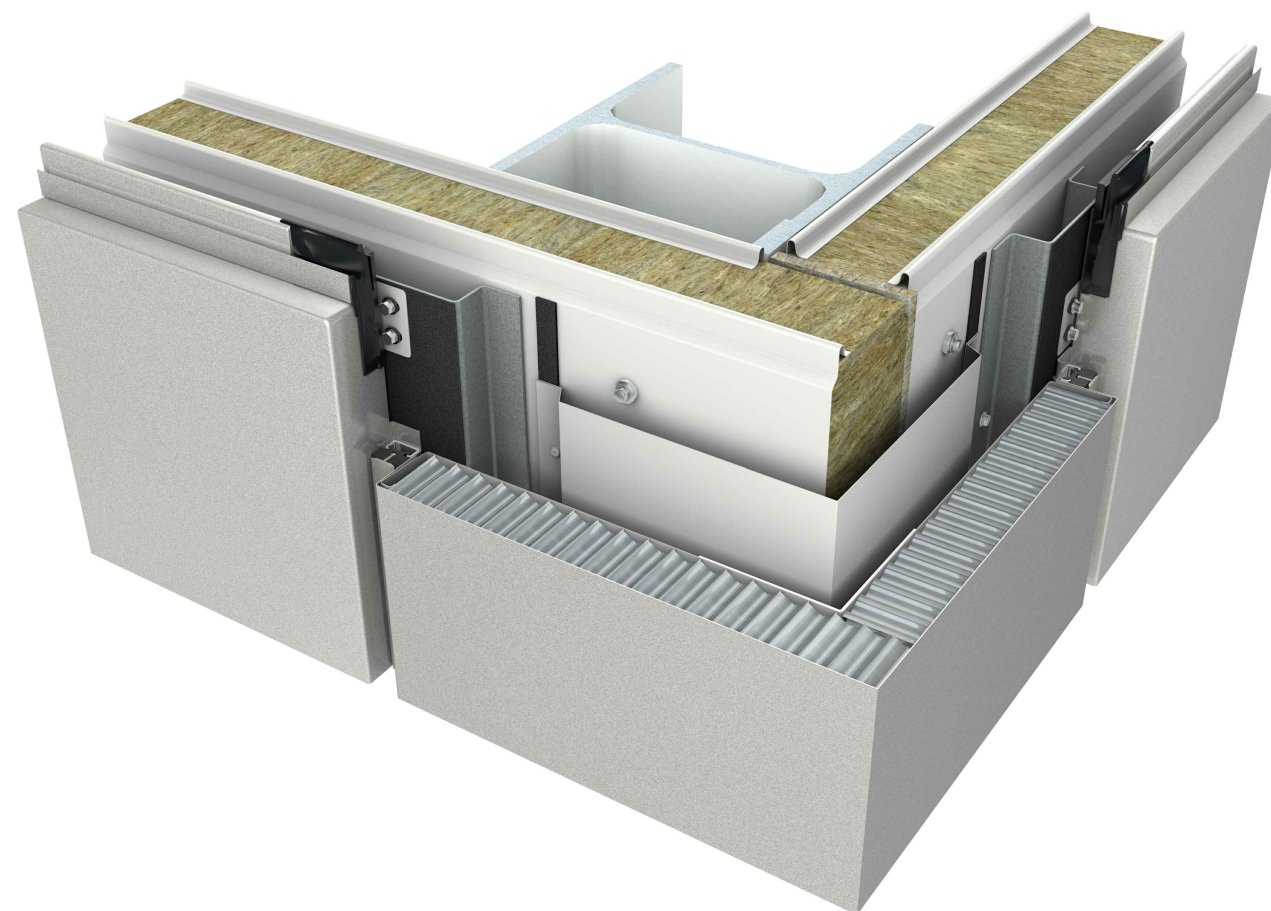
FUNCTION

- FIRE - fire-resistant system
- FOOGIENE - food & hygiene system
- BASE - backing-wall system

APPLICATION

- External Facade
- Internal Wall
- Flat Roof
- External Soffit
- Internal Ceiling
- Pitched Roof

DETAIL VIEW



FOCUS VIEW



ADVANTAGES

- Compatibility with various final cladding with load up to 60kg/m<sup>2</sup>
- Prefabrication
- Tolerances flexibility
- Fast installation

EXTERNAL CORNER

Trimo Group holds full copyrights on the information and details provided on this media, therefore any unauthorized reproduction and distribution is strictly prohibited.



HORIZONTAL INSTALLATION

TRIMOTERM FTV

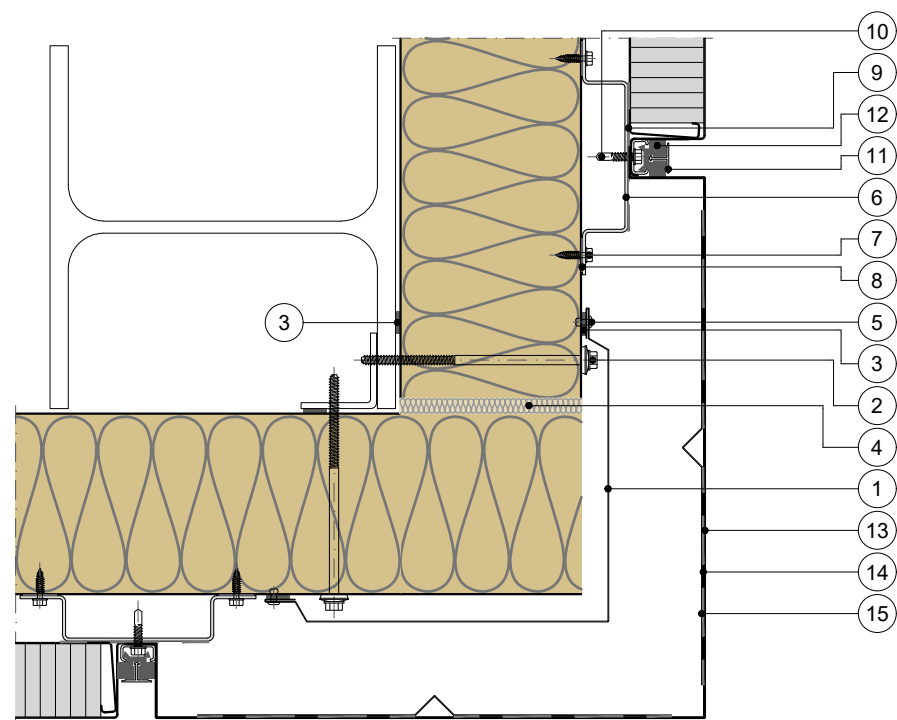
FUNCTION

- FIRE - fire-resistant system
- FOOGIENE - food & hygiene system
- BASE - backing-wall system

APPLICATION

- External Facade
- Internal Wall
- Flat Roof
- External Soffit
- Internal Ceiling
- Pitched Roof

HORIZONTAL CUT



POS.	ELEMENTS	SCALE: M 1:5
1	Corner flashing	
2	Panel fixing screw	
3	Self adhesive sealing tape PE	
4	Thermal insulation	
5	Blind rivet	
6	Omega rail	
7	Rail fixing screw	
8	Self adhesive sealing tape EPDM	
9	Separation layer	
10	Fixing screw - The type of screw depends on the material of the substructure (wind load)	
11	Decorative profile HF40 - recessed look of transversal joint	
12	Transversal gasket	
13	Corner flashing	
14	Adhesive foil	
15	Reinforcement	

EXTERNAL CORNER

Trimo Group holds full copyrights on the information and details provided on this media, therefore any unauthorized reproduction and distribution is strictly prohibited.



HORIZONTAL INSTALLATION

TRIMOTERM FTV

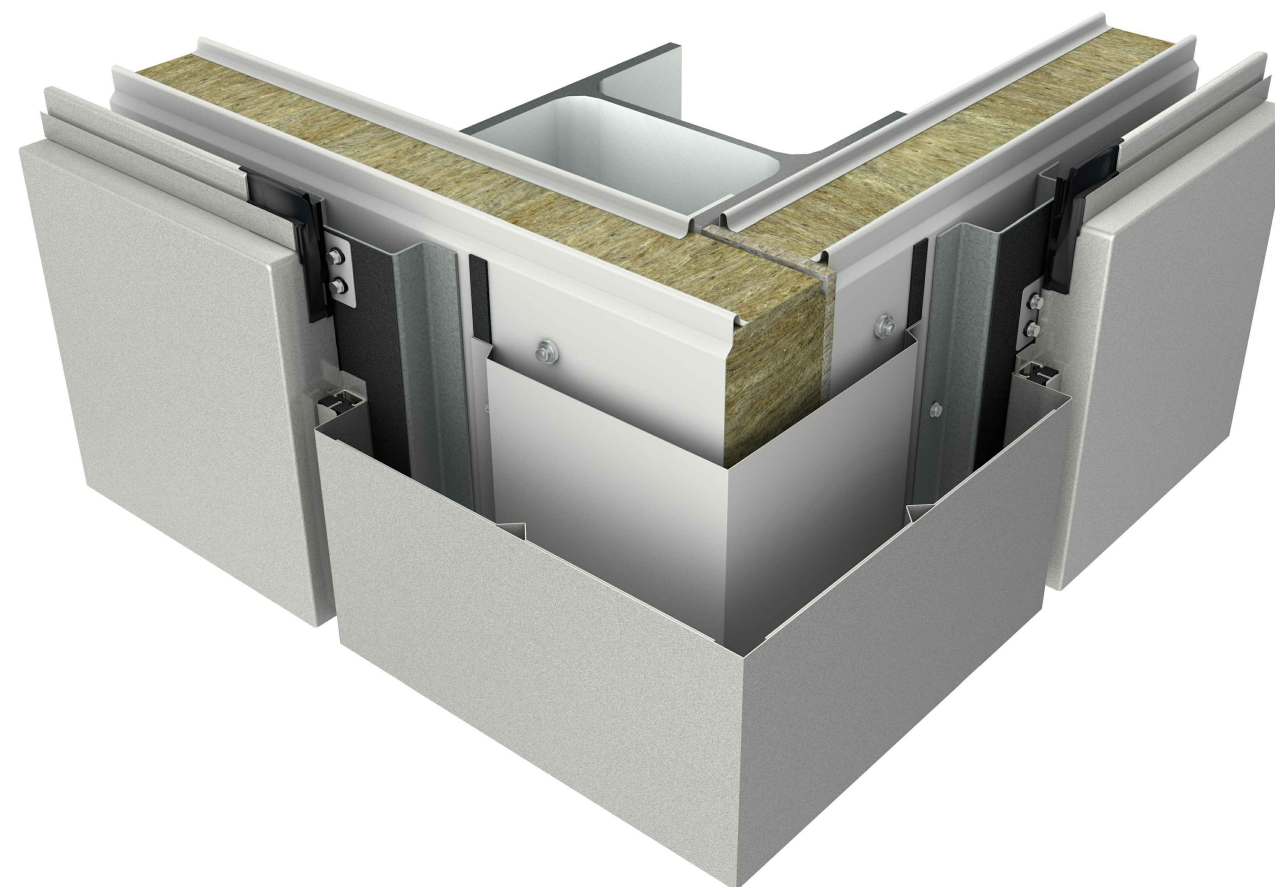
FUNCTION

- FIRE - fire-resistant system
- FOOGIENE - food & hygiene system
- BASE - backing-wall system

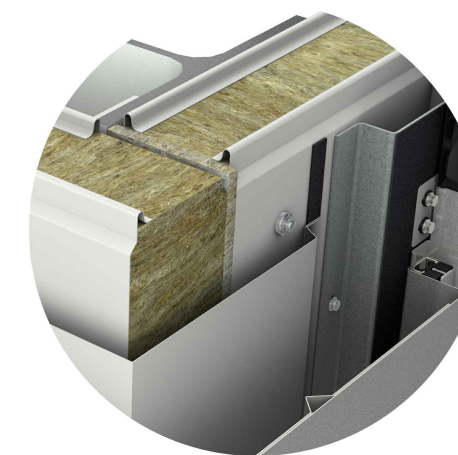
APPLICATION

- External Facade
- Internal Wall
- Flat Roof
- External Soffit
- Internal Ceiling
- Pitched Roof

DETAIL VIEW



FOCUS VIEW



ADVANTAGES

- Compatibility with various final cladding with load up to 60kg/m<sup>2</sup>
- Prefabrication
- Tolerances flexibility
- Fast installation

EXTERNAL CORNER

Trimo Group holds full copyrights on the information and details provided on this media, therefore any unauthorized reproduction and distribution is strictly prohibited.



### HORIZONTAL INSTALLATION

## TRIMOTERM FTV

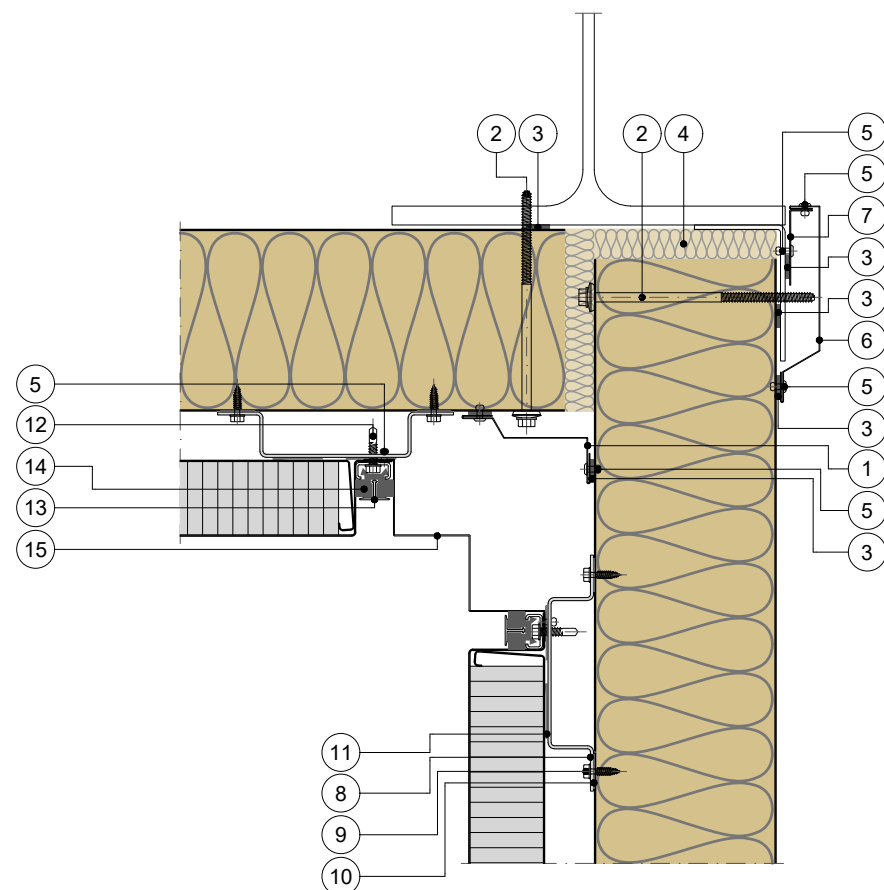
#### FUNCTION

- FIRE - fire-resistant system
- FOOGIENE - food & hygiene system
- BASE - backing-wall system

#### APPLICATION

- External Facade
- Internal Wall
- Flat Roof
- External Soffit
- Internal Ceiling
- Pitched Roof

#### HORIZONTAL CUT



POS.	ELEMENTS	SCALE: M 1:5
1	Corner flashing	
2	Panel fixing screw	
3	Self adhesive sealing tape PE	
4	Thermal insulation	
5	Blind rivet	
6	Internal flashing	
7	Internal flashing support	
8	Omega rail	
9	Rail fixing screw	
10	Self adhesive sealing tape EPDM	
11	Separation layer	
12	Fixing screw - The type of screw depends on the material of the substructure (wind load)	
13	Decorative profile HF40 - recessed look of transversal joint	
14	Transversal gasket	
15	Corner flashing	

### INTERNAL CORNER

Trimo Group holds full copyrights on the information and details provided on this media, therefore any unauthorized reproduction and distribution is strictly prohibited.



### HORIZONTAL INSTALLATION

## TRIMOTERM FTV

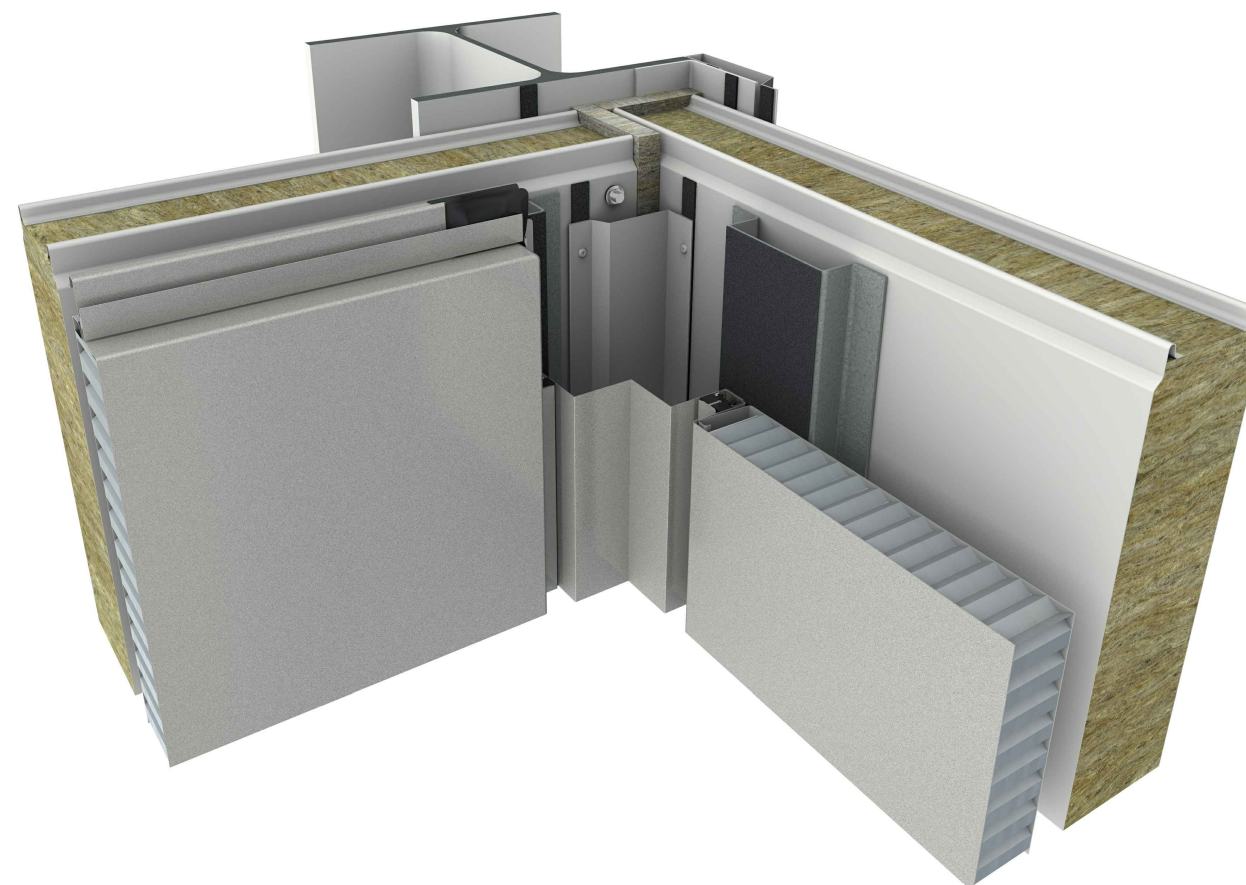
#### FUNCTION

- FIRE - fire-resistant system
- FOOGIENE - food & hygiene system
- BASE - backing-wall system

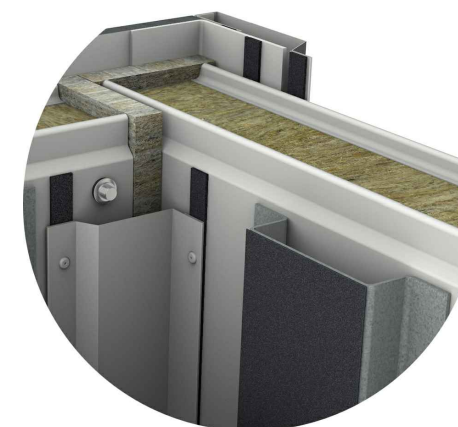
#### APPLICATION

- External Facade
- Internal Wall
- Flat Roof
- External Soffit
- Internal Ceiling
- Pitched Roof

#### DETAIL VIEW



#### FOCUS VIEW



#### ADVANTAGES

- Compatibility with various final cladding with load up to 60kg/m<sup>2</sup>
- Prefabrication
- Tolerances flexibility
- Fast installation

### INTERNAL CORNER

Trimo Group holds full copyrights on the information and details provided on this media, therefore any unauthorized reproduction and distribution is strictly prohibited.





HORIZONTAL INSTALLATION

FUNCTION

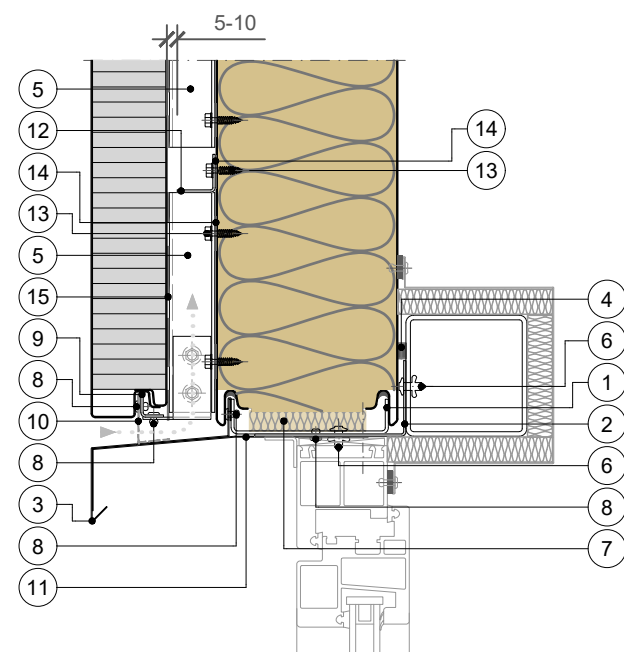
- FIRE - fire-resistant system
- FOOGIENE - food & hygiene system
- BASE - backing-wall system

APPLICATION

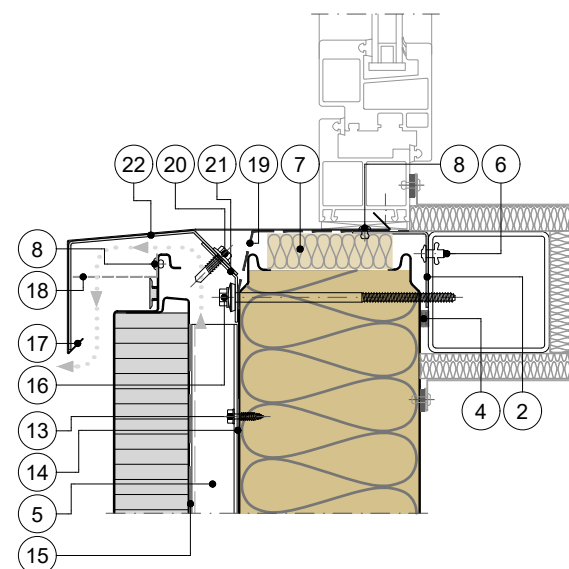
- External Facade
- Internal Wall
- Flat Roof
- + External Soffit
- + Internal Ceiling
- Pitched Roof

TRIMOTERM FTV

VERTICAL CUT - HEAD



VERTICAL CUT - SILL



POS.	ELEMENTS	SCALE: M 1:5
1	Panel holder	
2	Support profile	
3	Drip flashing	
4	Self adhesive sealing tape PE	
5	Omega rail	
6	Bulb tite rivet	
7	Thermal insulation	
8	Blind rivet	
9	Cladding element holder	
10	Perforated metal sheet (head)	
11	Window head flashing	
12	Fire barrier	
13	Rail fixing screw	
14	Self adhesive sealing tape EPDM	
15	Separation layer	
16	Panel fixing screw	
17	Window sill	
18	Perforated metal sheet (sill)	
19	Vapour control layer - outer	
20	Fixing screw	
21	Fixing profile	
22	Window sill support profile	

WINDOW

Trimo Group holds full copyrights on the information and details provided on this media, therefore any unauthorized reproduction and distribution is strictly prohibited.



HORIZONTAL INSTALLATION

FUNCTION

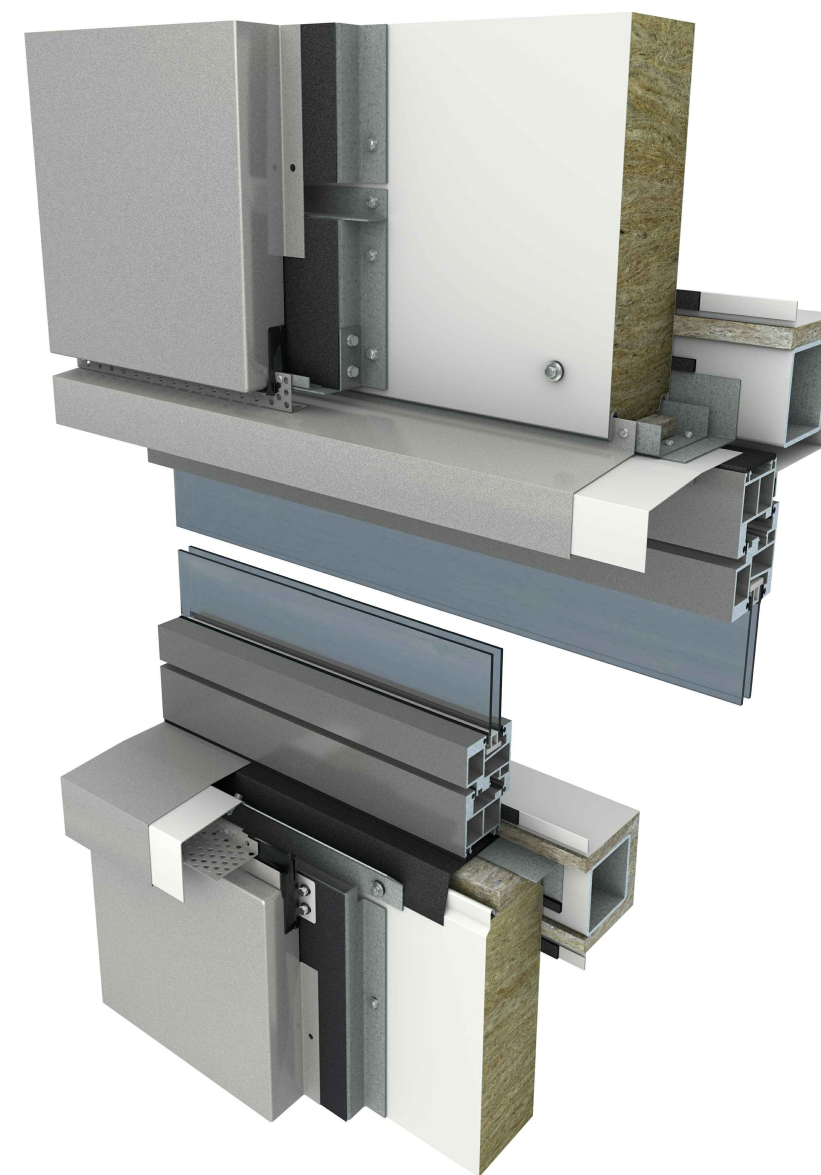
- FIRE - fire-resistant system
- FOOGIENE - food & hygiene system
- BASE - backing-wall system

APPLICATION

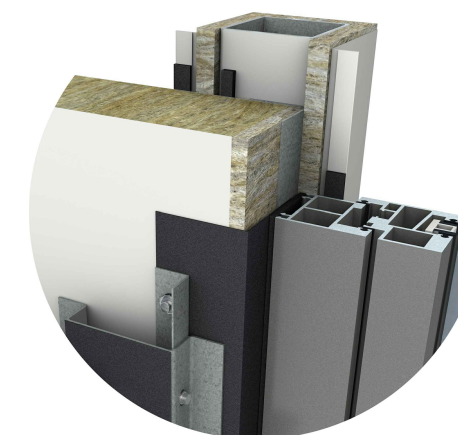
- External Facade
- Internal Wall
- Flat Roof
- + External Soffit
- + Internal Ceiling
- Pitched Roof

TRIMOTERM FTV

DETAIL VIEW



FOCUS VIEW - JAMB



ADVANTAGES

- Compatibility with various final cladding with load up to 60kg/m<sup>2</sup>
- Prefabrication
- Tolerances flexibility
- Fast installation

WINDOW

Trimo Group holds full copyrights on the information and details provided on this media, therefore any unauthorized reproduction and distribution is strictly prohibited.



HORIZONTAL INSTALLATION

TRIMOTERM FTV

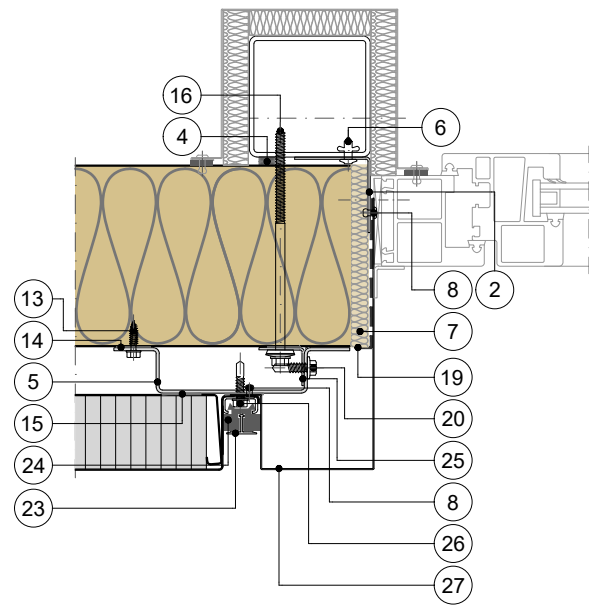
FUNCTION

- FIRE - fire-resistant system
- FOOGIENE - food & hygiene system
- BASE - backing-wall system

APPLICATION

- External Facade
- Internal Wall
- Flat Roof
- External Soffit
- Internal Ceiling
- Pitched Roof

HORIZONTAL CUT - JAMB



POS.	ELEMENTS	SCALE: M 1:5
2	Support profile	
4	Self adhesive sealing tape PE	
5	Omega rail	
6	Bulb tite rivet	
7	Thermal insulation	
8	Blind rivet	
13	Rail fixing screw	
14	Self adhesive sealing tape EPDM	
15	Separation layer	
16	Panel fixing screw	
19	Vapour control layer - outer	
20	Fixing screw	
23	Decorative profile HF40 - recessed look of transversal joint	
24	Transversal gasket	
25	Fixing profile	
26	Fixing screw - The type of screw depends on the material of the substructure (wind load)	
27	Window jamb flashing	



HORIZONTAL INSTALLATION

TRIMOTERM FTV

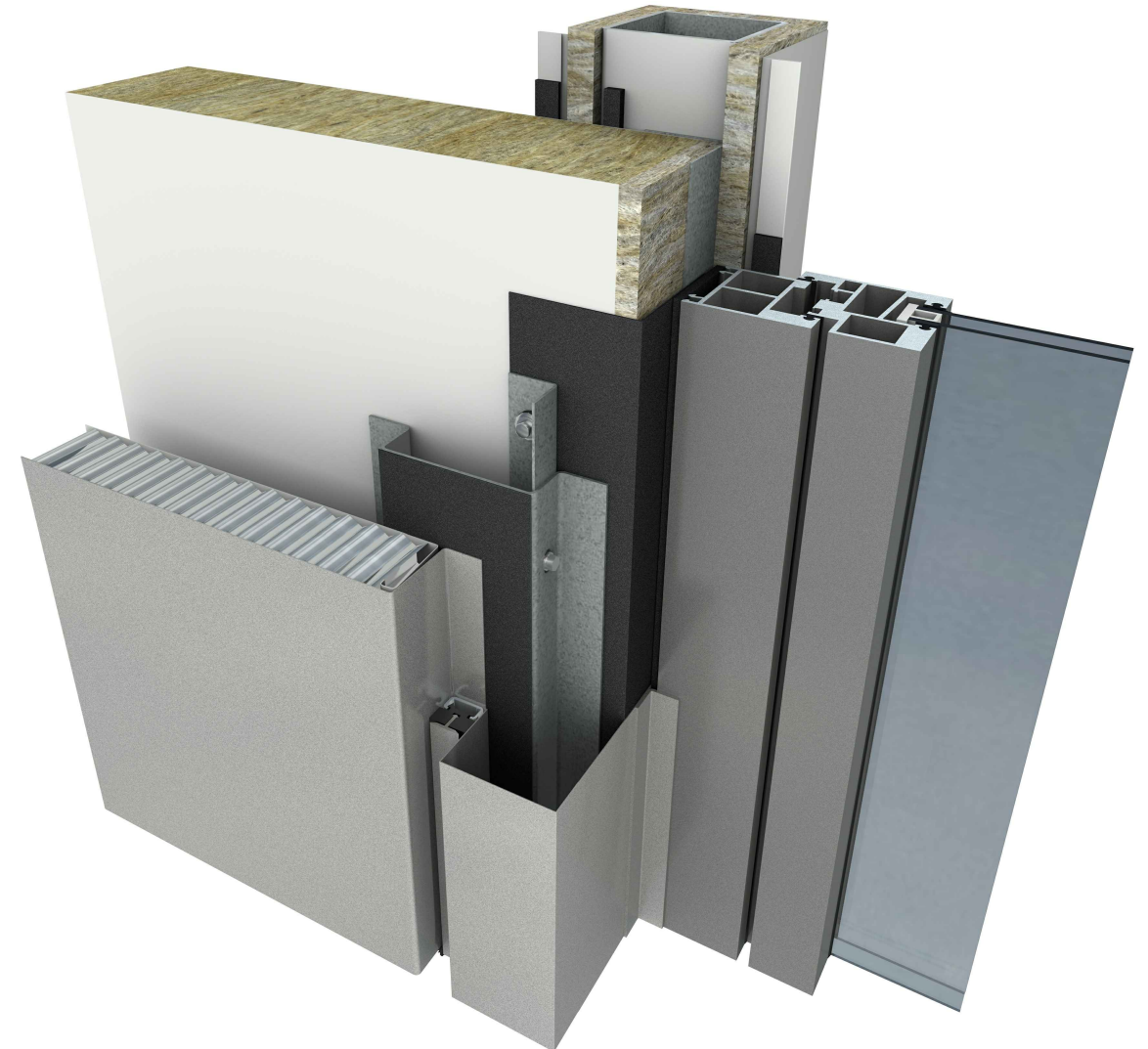
FUNCTION

- FIRE - fire-resistant system
- FOOGIENE - food & hygiene system
- BASE - backing-wall system

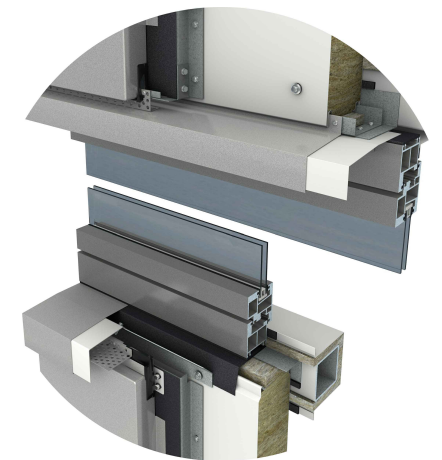
APPLICATION

- External Facade
- Internal Wall
- Flat Roof
- External Soffit
- Internal Ceiling
- Pitched Roof

DETAIL VIEW



FOCUS VIEW - HEAD & SILL



ADVANTAGES

- Compatibility with various final cladding with load up to 60kg/m<sup>2</sup>
- Prefabrication
- Tolerances flexibility
- Fast installation



### HORIZONTAL INSTALLATION

## TRIMOTERM FTV

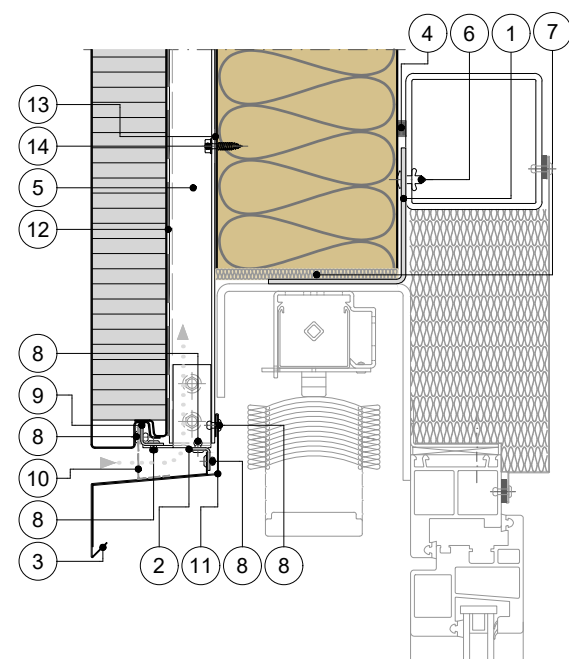
#### FUNCTION

- FIRE - fire-resistant system
- FOOGIENE - food & hygiene system
- BASE - backing-wall system

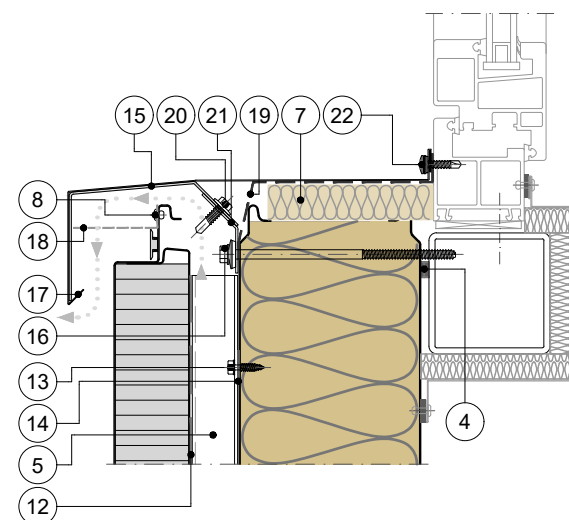
#### APPLICATION

- External Facade
- Internal Wall
- Flat Roof
- External Soffit
- Internal Ceiling
- Pitched Roof

VERTICAL CUT - HEAD



VERTICAL CUT - SILL



POS.	ELEMENTS	SCALE: M 1:5
1	Support profile	
2	Flashing support profile	
3	Drip flashing	
4	Self adhesive sealing tape PE	
5	Omega rail	
6	Bulb tite rivet	
7	Thermal insulation	
8	Blind rivet	
9	Cladding element holder	
10	Perforated metal sheet (head)	
11	Window head flashing	
12	Separation layer	
13	Rail fixing screw	
14	Self adhesive sealing tape EPDM	
15	Window sill support profile	
16	Panel fixing screw	
17	Window sill	
18	Perforated metal sheet (sill)	
19	Vapour control layer - outer	
20	Fixing screw	
21	Fixing profile	
22	Fixing profile	



### HORIZONTAL INSTALLATION

## TRIMOTERM FTV

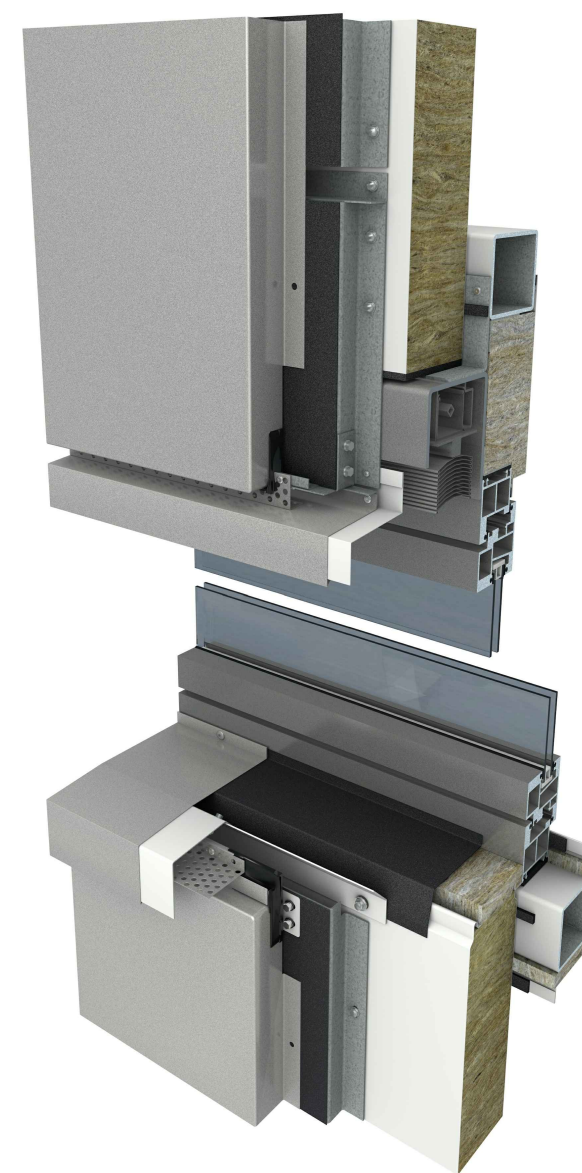
#### FUNCTION

- FIRE - fire-resistant system
- FOOGIENE - food & hygiene system
- BASE - backing-wall system

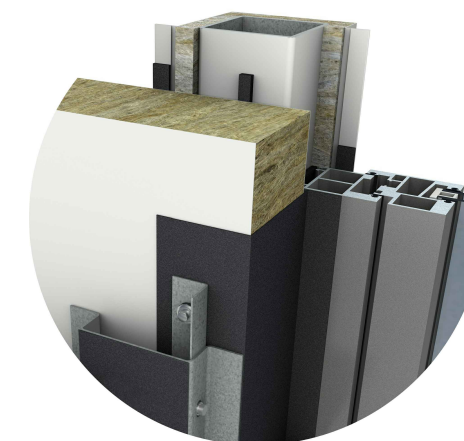
#### APPLICATION

- External Facade
- Internal Wall
- Flat Roof
- External Soffit
- Internal Ceiling
- Pitched Roof

DETAIL VIEW



FOCUS VIEW - JAMB



#### ADVANTAGES

- Compatibility with various final cladding with load up to 60kg/m<sup>2</sup>
- Prefabrication
- Tolerances flexibility
- Fast installation



HORIZONTAL INSTALLATION

TRIMOTERM FTV

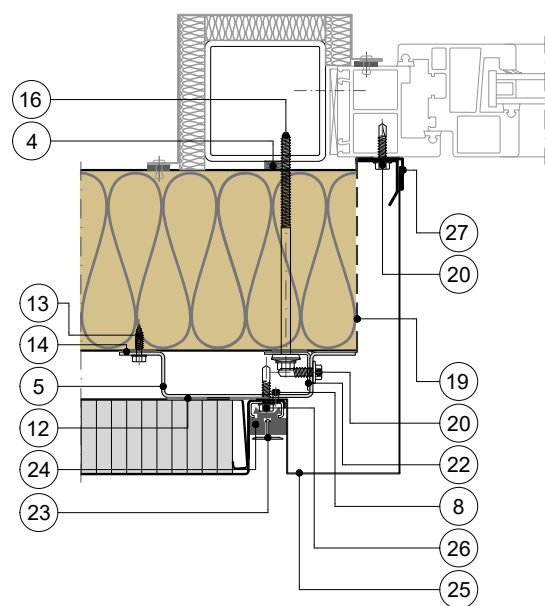
FUNCTION

- FIRE - fire-resistant system
- FOOGIENE - food & hygiene system
- BASE - backing-wall system

APPLICATION

- External Facade
- Internal Wall
- Flat Roof
- + External Soffit
- + Internal Ceiling
- Pitched Roof

HORIZONTAL CUT - JAMB



POS.	ELEMENTS	SCALE: M 1:5
4	Self adhesive sealing tape PE	
5	Omega rail	
8	Blind rivet	
12	Separation layer	
13	Rail fixing screw	
14	Self adhesive sealing tape EPDM	
16	Panel fixing screw	
19	Vapour control layer - outer	
20	Fixing screw	
22	Fixing profile	
23	Decorative profile HF40 - recessed look of transversal joint	
24	Transversal gasket	
25	Window jamb flashing	
26	Fixing screw - The type of screw depends on the material of the substructure (wind load)	
27	Dilatation flashing	



HORIZONTAL INSTALLATION

TRIMOTERM FTV

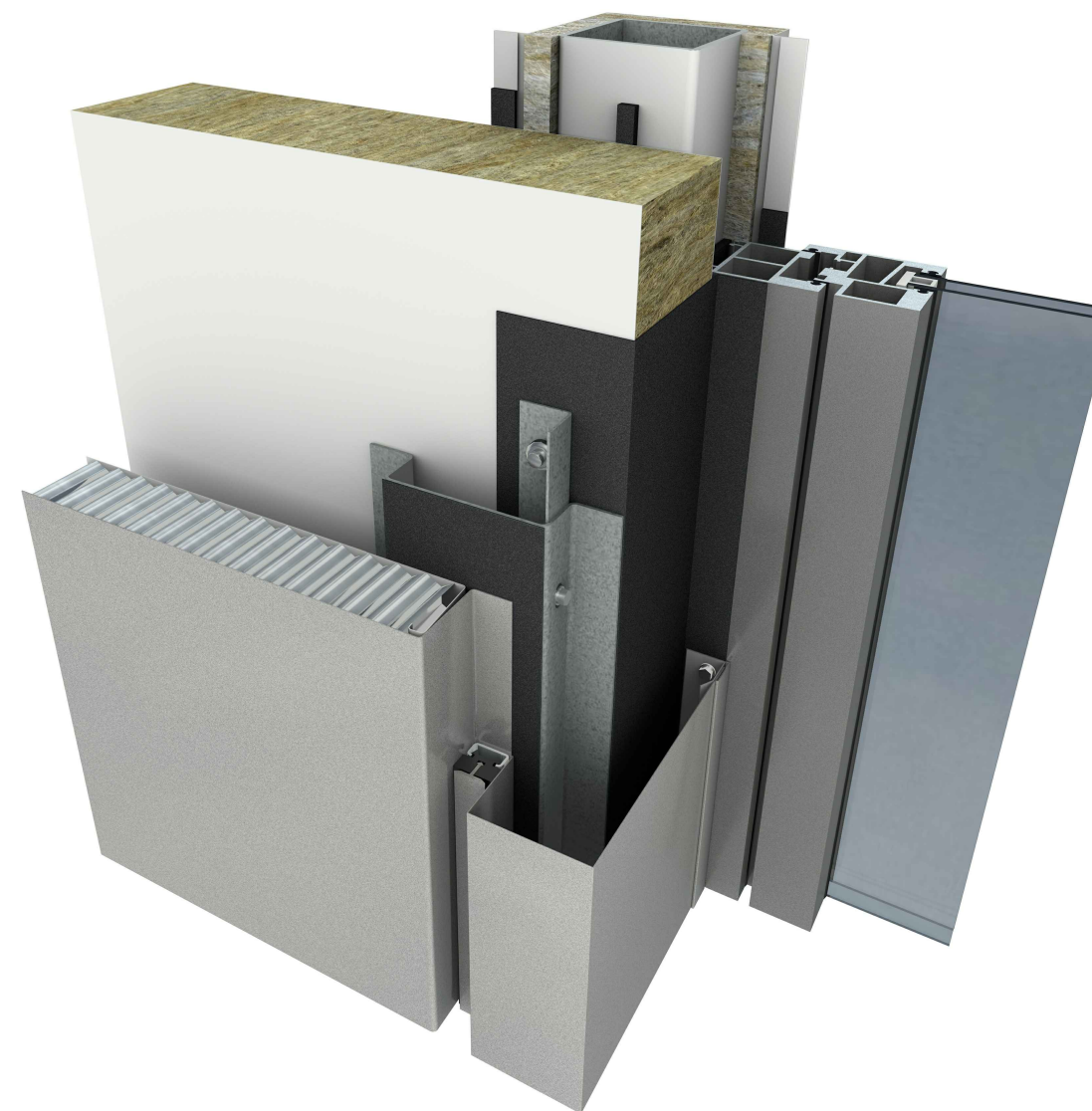
FUNCTION

- FIRE - fire-resistant system
- FOOGIENE - food & hygiene system
- BASE - backing-wall system

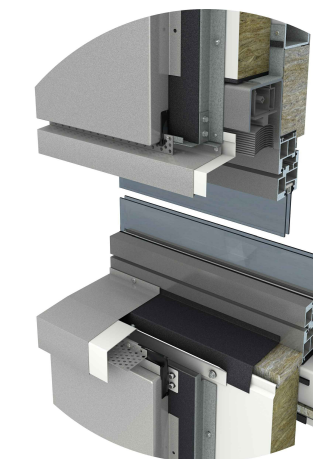
APPLICATION

- External Facade
- Internal Wall
- Flat Roof
- + External Soffit
- + Internal Ceiling
- Pitched Roof

DETAIL VIEW



FOCUS VIEW - HEAD & SILL



ADVANTAGES

- Compatibility with various final cladding with load up to 60kg/m<sup>2</sup>
- Prefabrication
- Tolerances flexibility
- Fast installation



HORIZONTAL INSTALLATION

FUNCTION

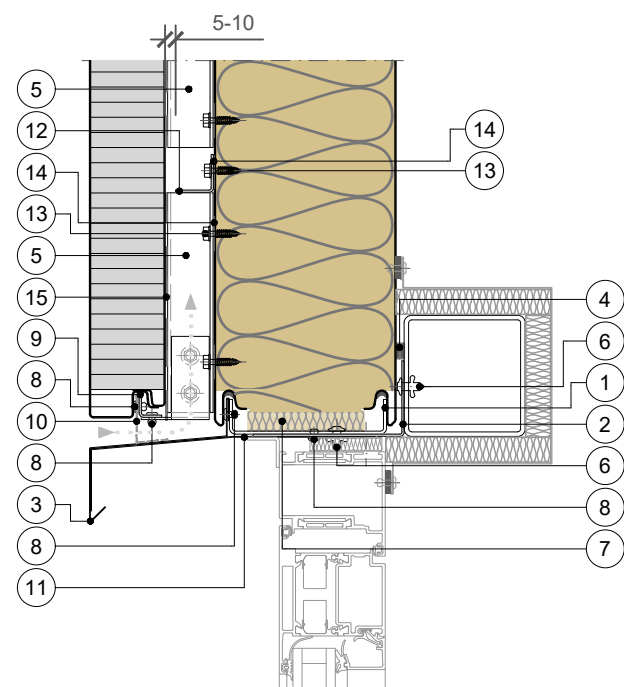
- FIRE - fire-resistant system
- FOOGIENE - food & hygiene system
- BASE - backing-wall system

APPLICATION

- External Facade
- Internal Wall
- Flat Roof
- External Soffit
- Internal Ceiling
- Pitched Roof

TRIMOTERM FTV

VERTICAL CUT - HEAD



POS.	ELEMENTS	SCALE: M 1:5
1	Panel holder	
2	Support profile	
3	Drip flashing	
4	Self adhesive sealing tape PE	
5	Omega rail	
6	Bulb tite rivet	
7	Thermal insulation	
8	Blind rivet	
9	Cladding element holder	
10	Perforated metal sheet (head)	
11	Door head flashing	
12	Fire barrier	
13	Rail fixing screw	
14	Self adhesive sealing tape EPDM	
15	Separation layer	

DOOR

Trimo Group holds full copyrights on the information and details provided on this media, therefore any unauthorized reproduction and distribution is strictly prohibited.



HORIZONTAL INSTALLATION

FUNCTION

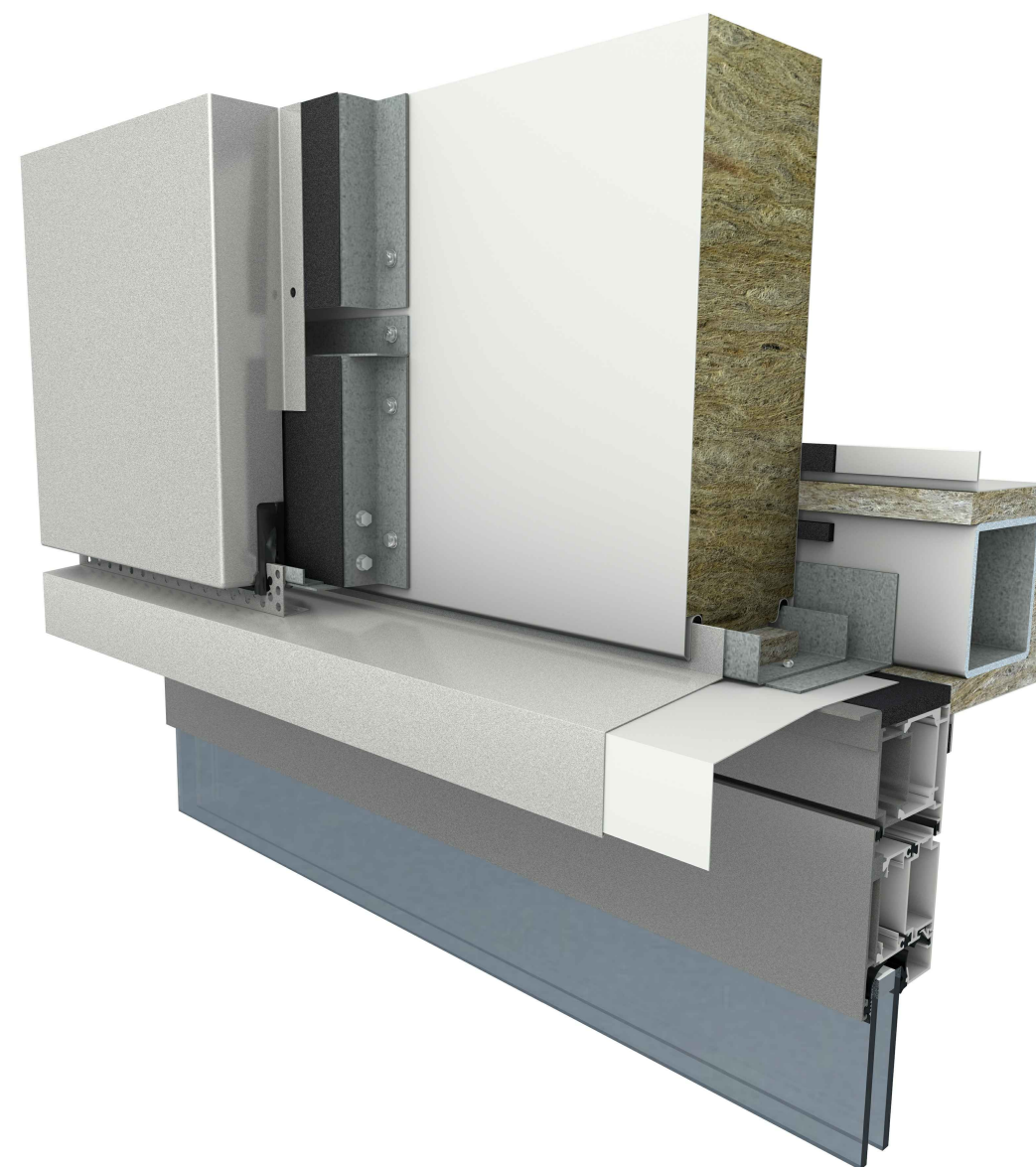
- FIRE - fire-resistant system
- FOOGIENE - food & hygiene system
- BASE - backing-wall system

APPLICATION

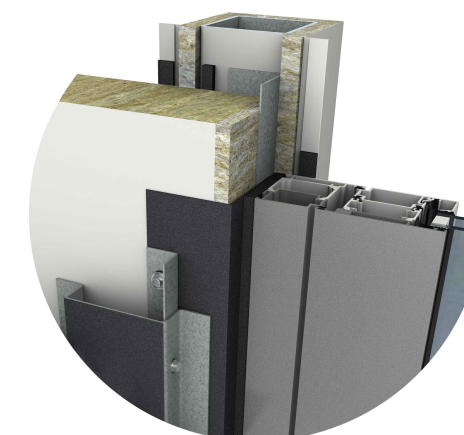
- External Facade
- Internal Wall
- Flat Roof
- External Soffit
- Internal Ceiling
- Pitched Roof

TRIMOTERM FTV

DETAIL VIEW



FOCUS VIEW - JAMB



ADVANTAGES

- Compatibility with various final cladding with load up to 60kg/m<sup>2</sup>
- Prefabrication
- Tolerances flexibility
- Fast installation

DOOR

Trimo Group holds full copyrights on the information and details provided on this media, therefore any unauthorized reproduction and distribution is strictly prohibited.



HORIZONTAL INSTALLATION

TRIMOTERM FTV

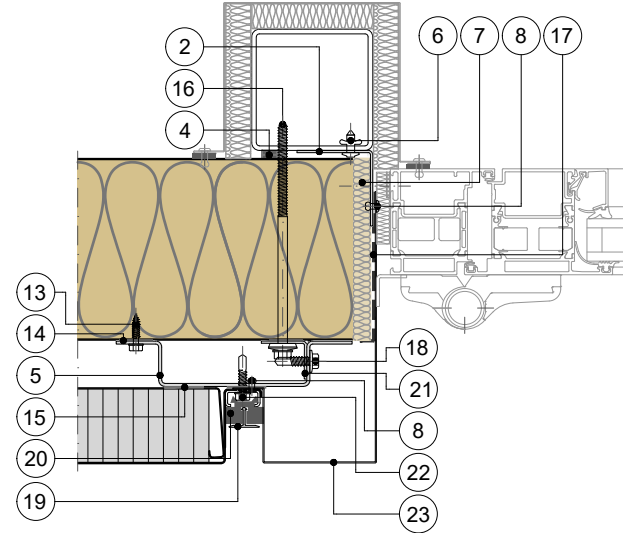
FUNCTION

- FIRE - fire-resistant system
- FOOGIENE - food & hygiene system
- BASE - backing-wall system

APPLICATION

- External Facade
- Internal Wall
- Flat Roof
- External Soffit
- Internal Ceiling
- Pitched Roof

HORIZONTAL CUT - JAMB



POS.	ELEMENTS	SCALE: M 1:5
2	Support profile	
4	Self adhesive sealing tape PE	
5	Omega rail	
6	Bulb tite rivet	
7	Thermal insulation	
8	Blind rivet	
13	Rail fixing screw	
14	Self adhesive sealing tape EPDM	
15	Separation layer	
16	Panel fixing screw	
17	Vapour control layer - outer	
18	Fixing screw	
19	Decorative profile HF40 - recessed look of transversal joint	
20	Transversal gasket	
21	Fixing profile	
22	Fixing screw - The type of screw depends on the material of the substructure (wind load)	
23	Door jamb flashing	

DOOR

Trimo Group holds full copyrights on the information and details provided on this media, therefore any unauthorized reproduction and distribution is strictly prohibited.



HORIZONTAL INSTALLATION

TRIMOTERM FTV

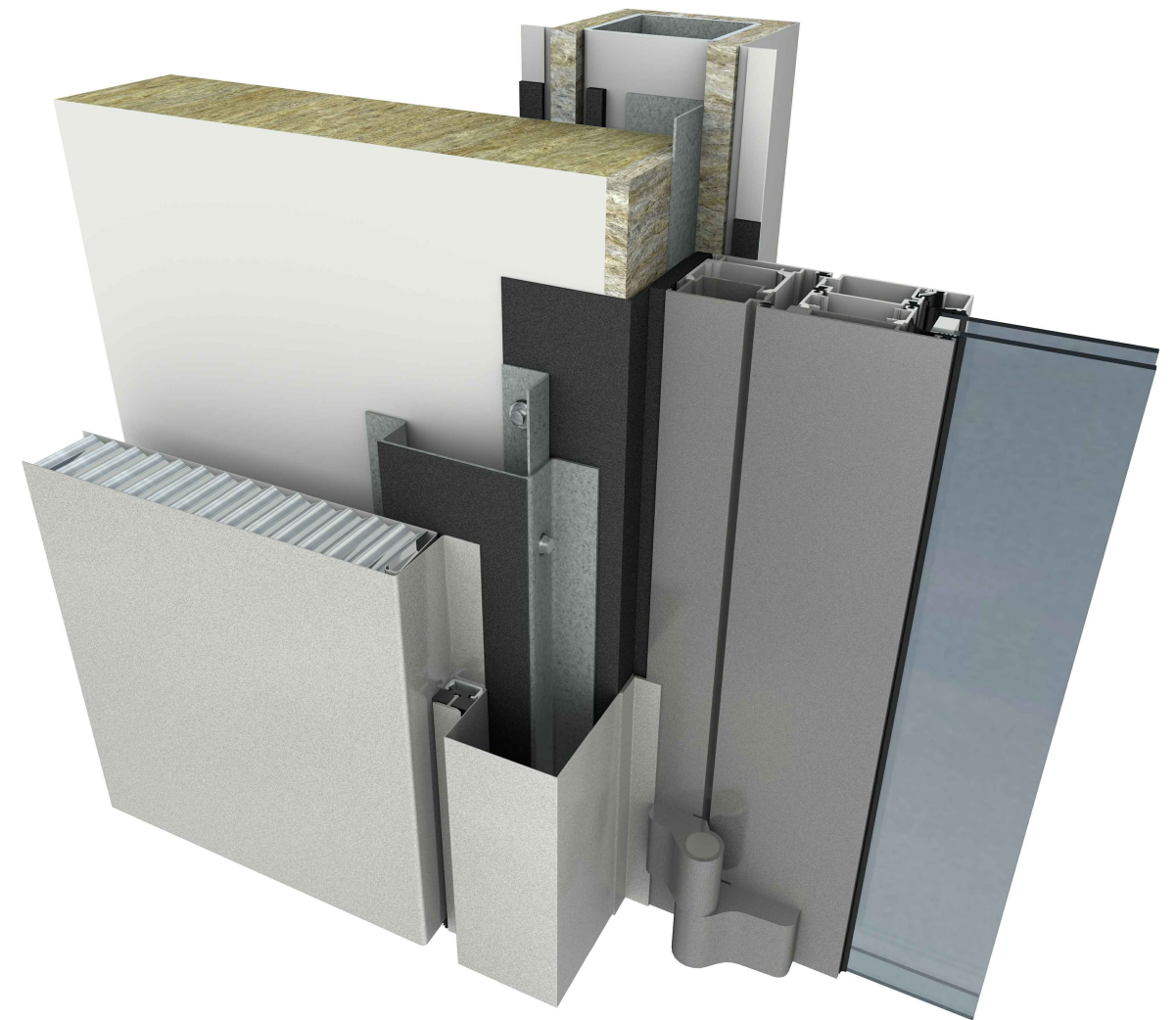
FUNCTION

- FIRE - fire-resistant system
- FOOGIENE - food & hygiene system
- BASE - backing-wall system

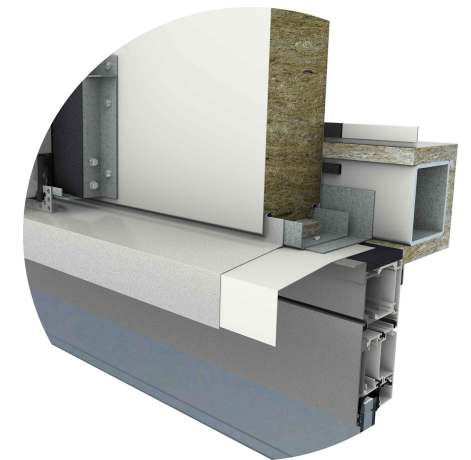
APPLICATION

- External Facade
- Internal Wall
- Flat Roof
- External Soffit
- Internal Ceiling
- Pitched Roof

DETAIL VIEW



FOCUS VIEW - HEAD



ADVANTAGES

- Compatibility with various final cladding with load up to 60kg/m<sup>2</sup>
- Prefabrication
- Tolerances flexibility
- Fast installation

DOOR

Trimo Group holds full copyrights on the information and details provided on this media, therefore any unauthorized reproduction and distribution is strictly prohibited.



HORIZONTAL INSTALLATION

FUNCTION

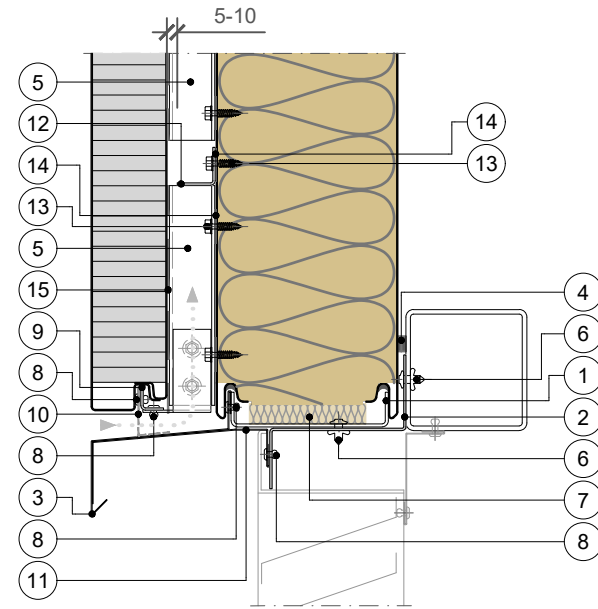
- FIRE - fire-resistant system
- FOOGIENE - food & hygiene system
- BASE - backing-wall system

APPLICATION

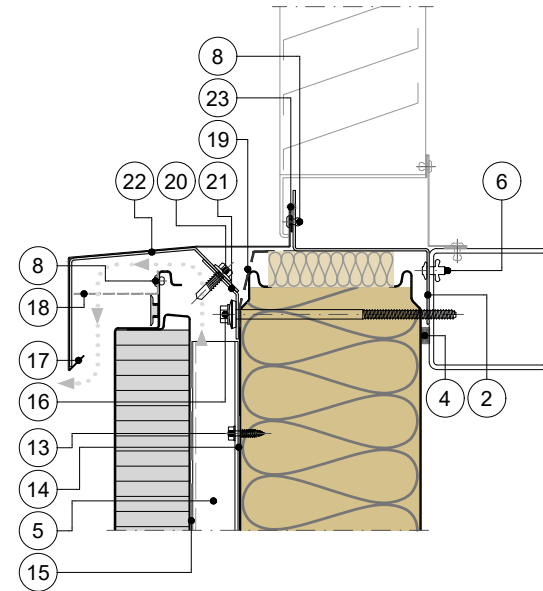
- External Facade
- Internal Wall
- Flat Roof
- + External Soffit
- + Internal Ceiling
- Pitched Roof

TRIMOTERM FTV

VERTICAL CUT - HEAD



VERTICAL CUT - SILL



POS.	ELEMENTS	SCALE: M 1:5
1	Panel holder	
2	Support profile	
3	Drip flashing	
4	Self adhesive sealing tape PE	
5	Omega rail	
6	Bulb tite rivet	
7	Thermal insulation	
8	Blind rivet	
9	Cladding element holder	
10	Perforated metal sheet (head)	
11	Opening head flashing	
12	Fire barrier	
13	Rail fixing screw	
14	Self adhesive sealing tape EPDM	
15	Separation layer	
16	Panel fixing screw	
17	Opening sill	
18	Perforated metal sheet (sill)	
19	Vapour control layer - outer	
20	Fixing screw	
21	Fixing profile	
22	Opening sill support profile	
23	Mastic sealant	

PENETRATION

Trimo Group holds full copyrights on the information and details provided on this media, therefore any unauthorized reproduction and distribution is strictly prohibited.



HORIZONTAL INSTALLATION

FUNCTION

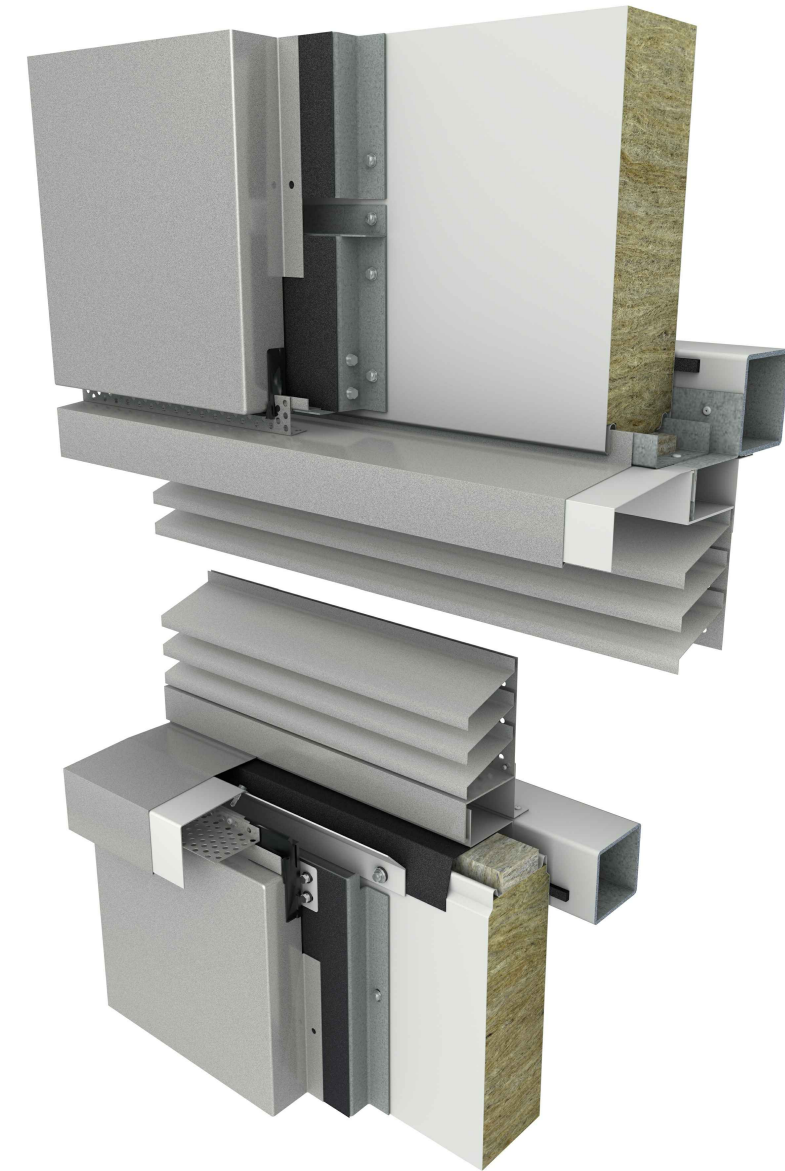
- FIRE - fire-resistant system
- FOOGIENE - food & hygiene system
- BASE - backing-wall system

APPLICATION

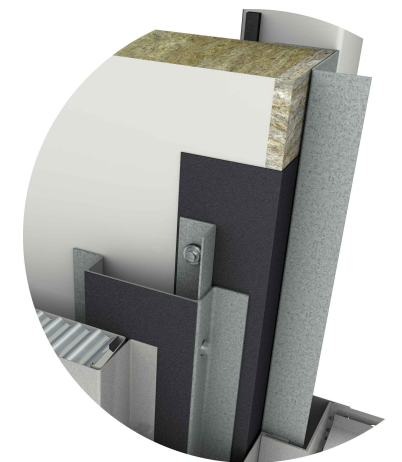
- External Facade
- Internal Wall
- Flat Roof
- + External Soffit
- + Internal Ceiling
- Pitched Roof

TRIMOTERM FTV

DETAIL VIEW



FOCUS VIEW - JAMB



ADVANTAGES

- Compatibility with various final cladding with load up to 60kg/m<sup>2</sup>
- Prefabrication
- Tolerances flexibility
- Fast installation

PENETRATION

Trimo Group holds full copyrights on the information and details provided on this media, therefore any unauthorized reproduction and distribution is strictly prohibited.



HORIZONTAL INSTALLATION

TRIMOTERM FTV

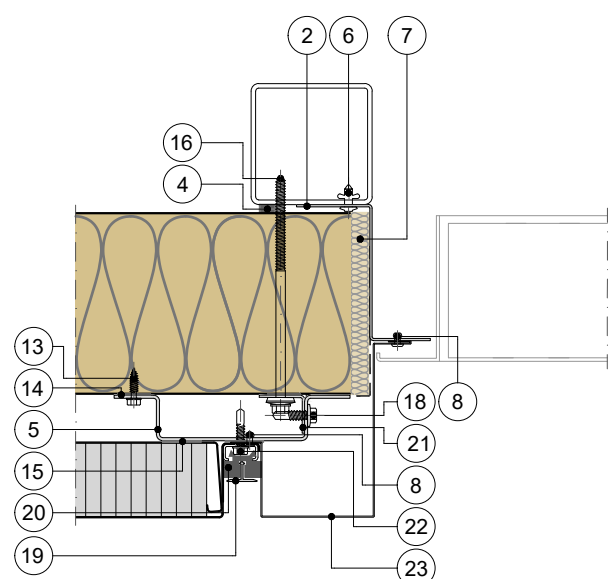
FUNCTION

- FIRE - fire-resistant system
- FOOGIENE - food & hygiene system
- BASE - backing-wall system

APPLICATION

- External Facade + External Soffit
- Internal Wall + Internal Ceiling
- Flat Roof  Pitched Roof

HORIZONTAL CUT - JAMB



POS.	ELEMENTS	SCALE: M 1:5
2	Support profile	
4	Self adhesive sealing tape PE	
5	Omega rail	
6	Bulb tite rivet	
7	Thermal insulation	
8	Blind rivet	
13	Rail fixing screw	
14	Self adhesive sealing tape EPDM	
15	Separation layer	
16	Panel fixing screw	
17	Vapour control layer - outer	
18	Fixing screw	
19	Decorative profile HF40 - recessed look of transversal joint	
20	Transversal gasket	
21	Fixing profile	
22	Fixing screw - The type of screw depends on the material of the substructure (wind load)	
23	Opening jamb flashing	

PENETRATION

Trimo Group holds full copyrights on the information and details provided on this media, therefore any unauthorized reproduction and distribution is strictly prohibited.



HORIZONTAL INSTALLATION

TRIMOTERM FTV

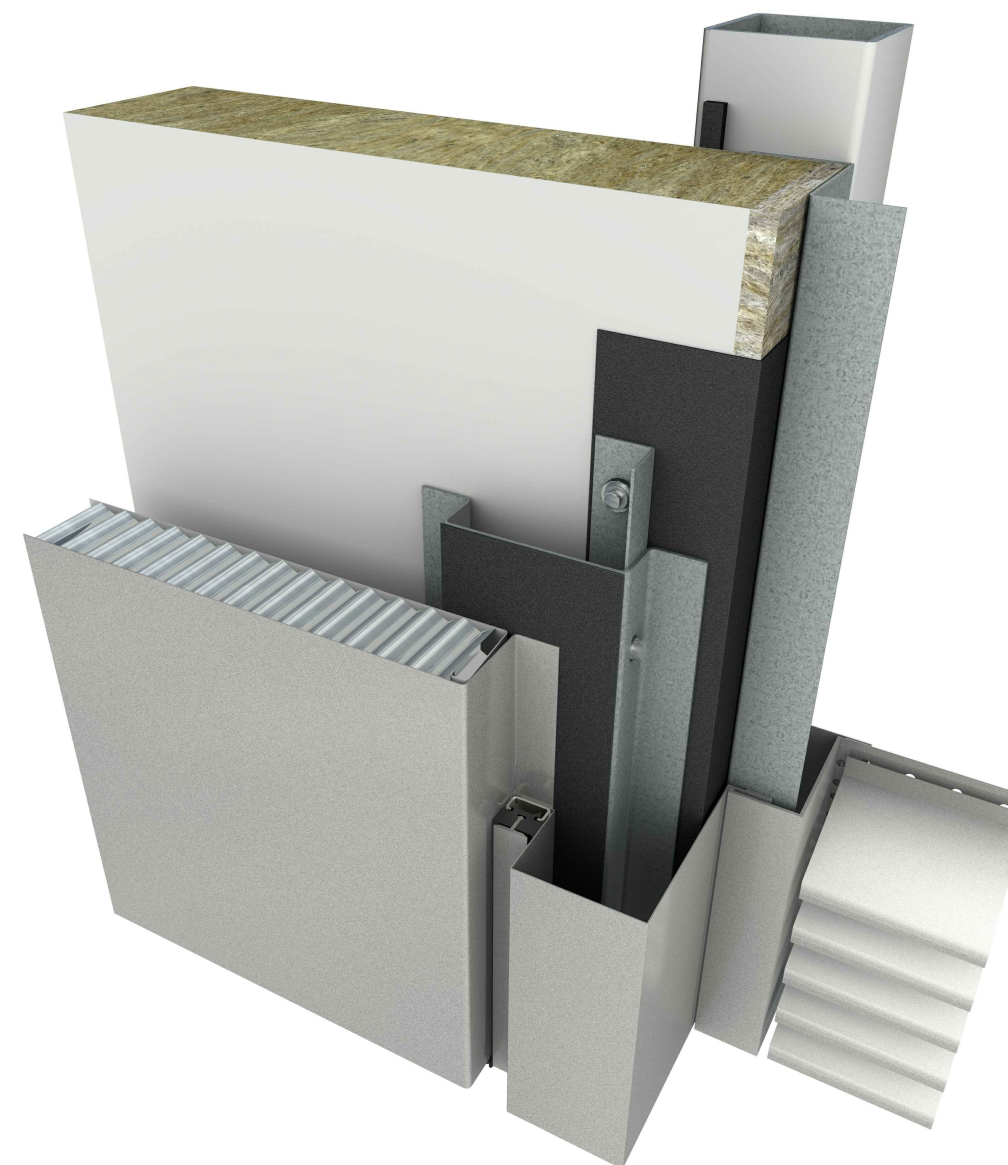
FUNCTION

- FIRE - fire-resistant system
- FOOGIENE - food & hygiene system
- BASE - backing-wall system

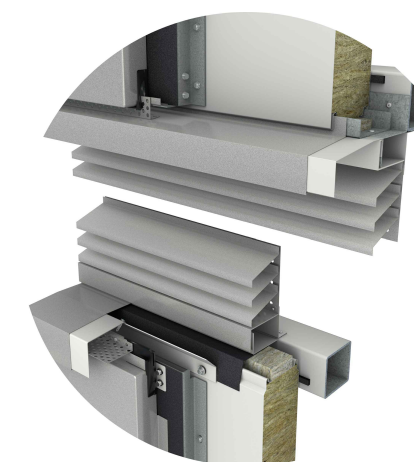
APPLICATION

- External Facade + External Soffit
- Internal Wall + Internal Ceiling
- Flat Roof  Pitched Roof

DETAIL VIEW



FOCUS VIEW - HEAD & SILL



ADVANTAGES

- Compatibility with various final cladding with load up to 60kg/m<sup>2</sup>
- Prefabrication
- Tolerances flexibility
- Fast installation

PENETRATION

Trimo Group holds full copyrights on the information and details provided on this media, therefore any unauthorized reproduction and distribution is strictly prohibited.





HORIZONTAL INSTALLATION

TRIMOTERM FTV

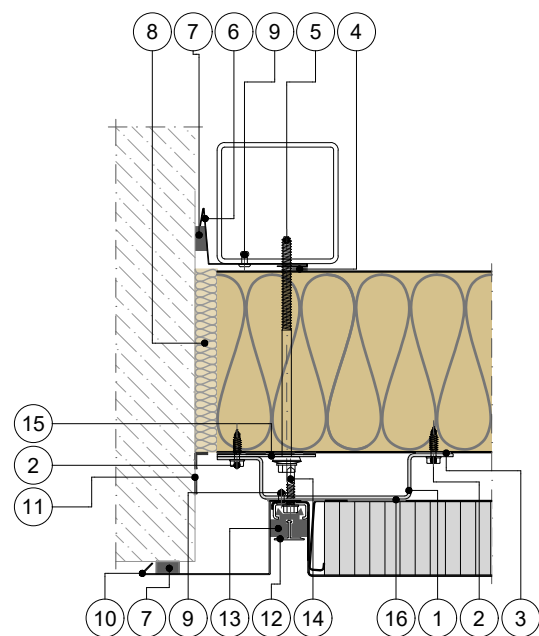
FUNCTION

- FIRE - fire-resistant system
- FOOGIENE - food & hygiene system
- BASE - backing-wall system

APPLICATION

- External Facade + External Soffit
- Internal Wall + Internal Ceiling
- Flat Roof  Pitched Roof

HORIZONTAL CUT



POS.	ELEMENTS	SCALE: M 1:5
1	Omega rail	
2	Rail fixing screw	
3	Self adhesive sealing tape EPDM	
4	Self adhesive sealing tape PE	
5	Panel fixing screw	
6	Internal flashing	
7	Self adhesive pre compressed sealing tape	
8	Thermal insulation	
9	Blind rivet	
10	Flashing - Cover to the wall	
11	Vapour control layer - outer	
12	Decorative profile HF40 - recessed look of transversal joint	
13	Transversal gasket	
14	Fixing screw - The type of screw depends on the material of the substructure (wind load)	
15	Fixing plate	
16	Separation layer	

OTHER SYSTEM CONNECTION

Trimo Group holds full copyrights on the information and details provided on this media, therefore any unauthorized reproduction and distribution is strictly prohibited.



HORIZONTAL INSTALLATION

TRIMOTERM FTV

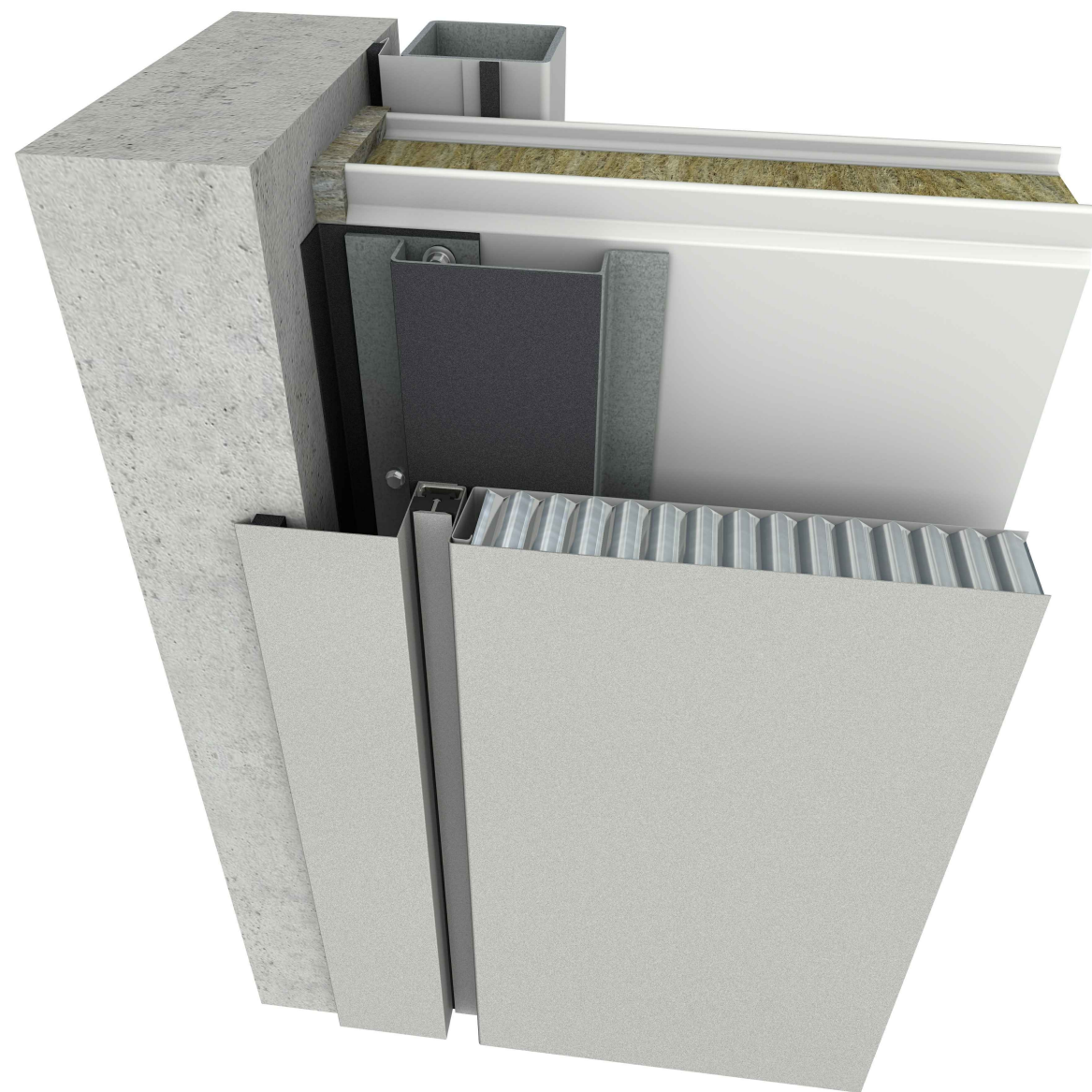
FUNCTION

- FIRE - fire-resistant system
- FOOGIENE - food & hygiene system
- BASE - backing-wall system

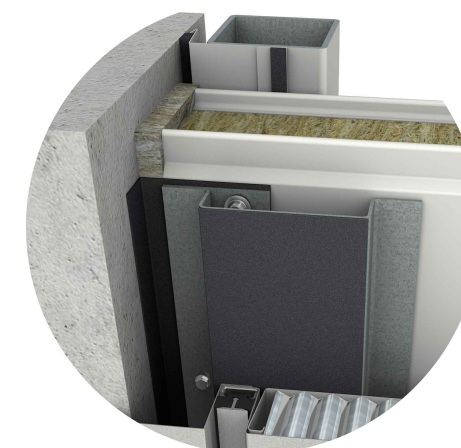
APPLICATION

- External Facade + External Soffit
- Internal Wall + Internal Ceiling
- Flat Roof  Pitched Roof

DETAIL VIEW



FOCUS VIEW



ADVANTAGES

- Compatibility with various final cladding with load up to 60kg/m<sup>2</sup>
- Prefabrication
- Tolerances flexibility
- Fast installation

OTHER SYSTEM CONNECTION

Trimo Group holds full copyrights on the information and details provided on this media, therefore any unauthorized reproduction and distribution is strictly prohibited.

**VERTICAL  
INSTALLATION**

**TRIMOTERM  
FTV**

**FUNCTION**

- FIRE - fire-resistant system
- FOOGIENE - food & hygiene system
- BASE - backing-wall system

**APPLICATION**

- External Facade
- Internal Wall
- Flat Roof
- External Soffit
- Internal Ceiling
- Pitched Roof

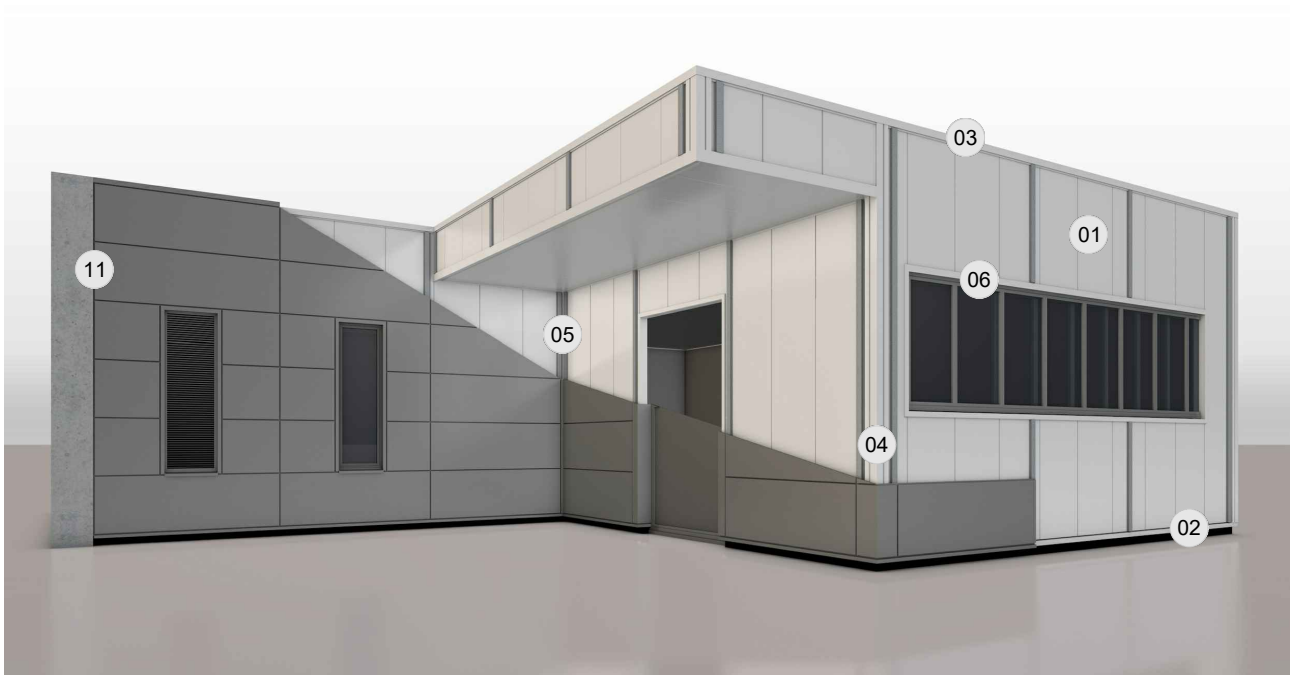


CAD download centre



BIM download centre

- TE-V-01 JOINT
- TE-V-02 BASE
- TE-V-03 PARAPET
- TE-V-04 EXTERNAL CORNER
- TE-V-05 INTERNAL CORNER
- TE-V-06 WINDOW
- TE-V-11 OTHER SYSTEM CONNECTION



**SCHEME**

Trimo Group holds full copyrights on the information and details provided on this media, therefore any unauthorized reproduction and distribution is strictly prohibited.



### VERTICAL INSTALLATION

## TRIMOTERM FTV

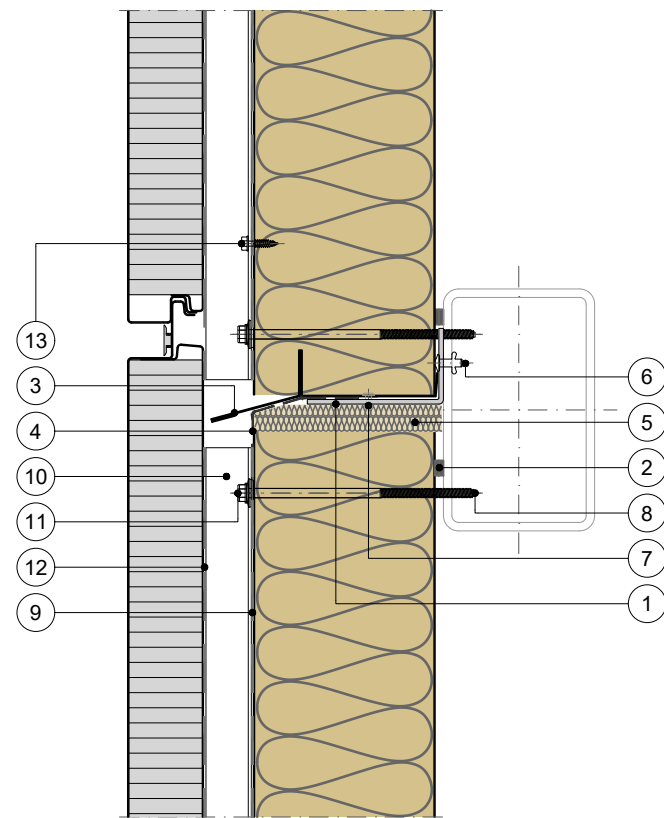
#### FUNCTION

- FIRE - fire-resistant system
- FOOGIENE - food & hygiene system
- BASE - backing-wall system

#### APPLICATION

- External Facade
- Internal Wall
- Flat Roof
- External Soffit
- Internal Ceiling
- Pitched Roof

#### VERTICAL CUT



POS.	ELEMENTS	SCALE: M 1:5
1	Support profile	
2	Sealing tape	
3	Drip flashing	
4	Vapour control layer	
5	Thermal insulation	
6	Bulb tite rivet	
7	Blind rivet	
8	Fixing screw	
9	Sealing tape	
10	Omega rail	
11	Omega rail fixing screw	
12	Separation layer	
13	Omega rail fixing screw - short	

### JOINT

Trimo Group holds full copyrights on the information and details provided on this media, therefore any unauthorized reproduction and distribution is strictly prohibited.



### HORIZONTAL INSTALLATION

## TRIMOTERM FTV

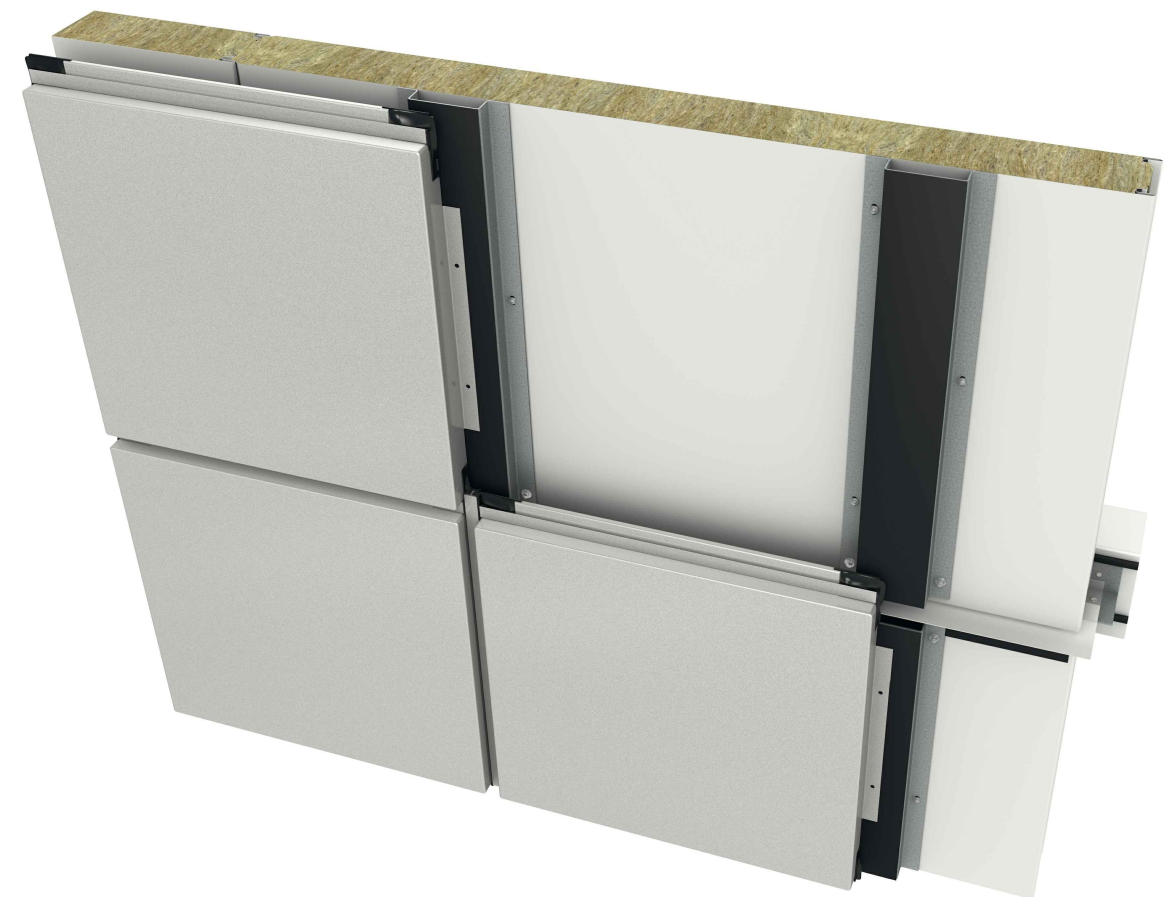
#### FUNCTION

- FIRE - fire-resistant system
- FOOGIENE - food & hygiene system
- BASE - backing-wall system

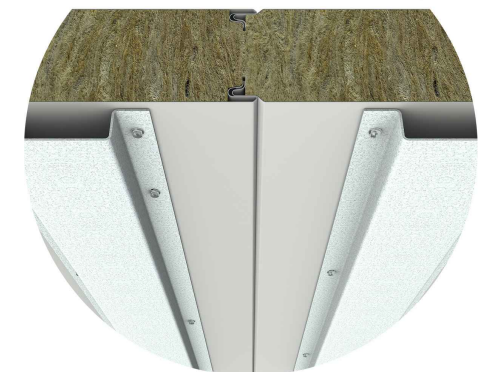
#### APPLICATION

- External Facade
- Internal Wall
- Flat Roof
- External Soffit
- Internal Ceiling
- Pitched Roof

#### DETAIL VIEW



#### FOCUS VIEW



#### ADVANTAGES

- Compatibility with various final cladding with load up to 60kg/m<sup>2</sup>
- Prefabrication
- Tolerances flexibility
- Fast installation

### EXTERNAL CORNER

Trimo Group holds full copyrights on the information and details provided on this media, therefore any unauthorized reproduction and distribution is strictly prohibited.



### VERTICAL INSTALLATION

## TRIMOTERM FTV

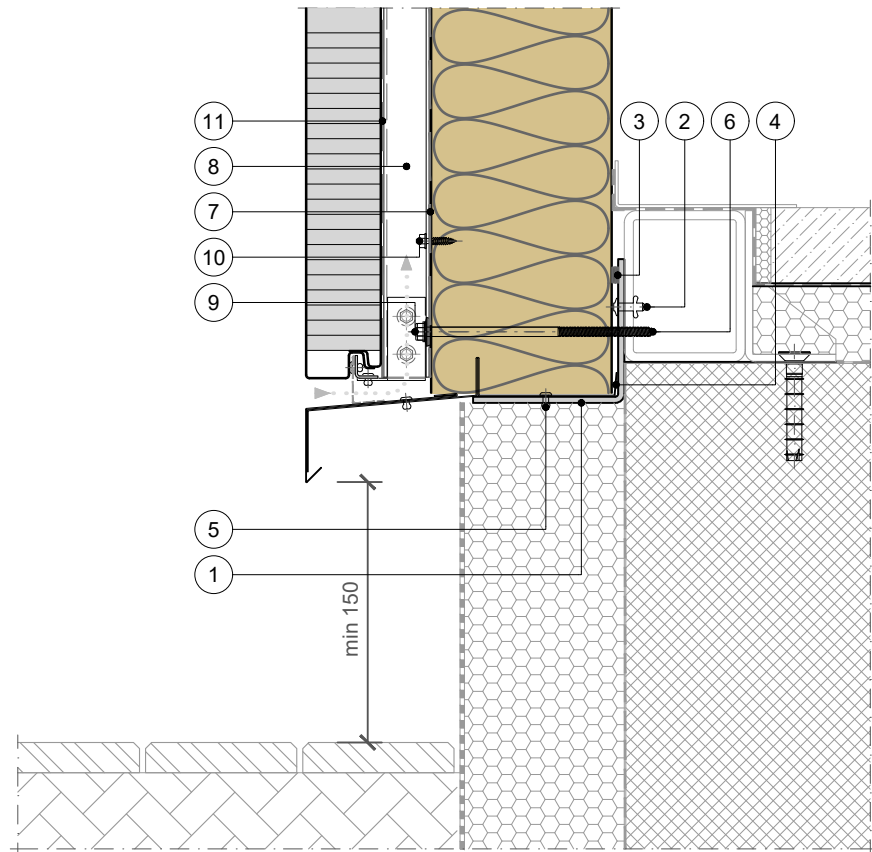
#### FUNCTION

- FIRE - fire-resistant system
- FOOGIENE - food & hygiene system
- BASE - backing-wall system

#### APPLICATION

- External Facade
- Internal Wall
- Flat Roof
- External Soffit
- Internal Ceiling
- Pitched Roof

#### VERTICAL CUT



POS.	ELEMENTS	SCALE: M 1:5
1	Support profile	
2	Bulb tite rivet	
3	Sealing tape	
4	Base flashing	
5	Blind rivet	
6	Fixing screw	
7	Sealing tape	
8	Omega rail	
9	Omega rail fixing screw	
10	Omega rail fixing screw - short	
11	Separation layer	

### BASE

Trimo Group holds full copyrights on the information and details provided on this media, therefore any unauthorized reproduction and distribution is strictly prohibited.



### HORIZONTAL INSTALLATION

## TRIMOTERM FTV

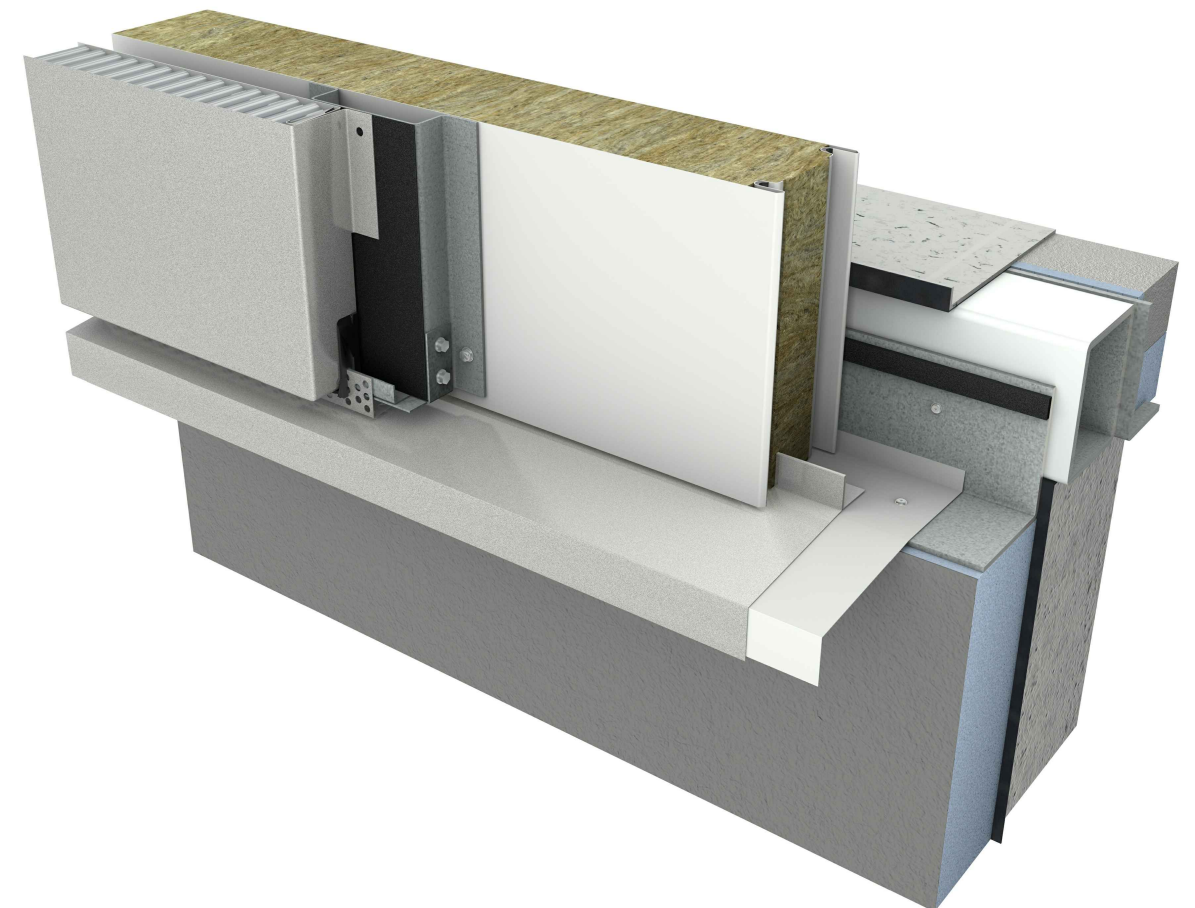
#### FUNCTION

- FIRE - fire-resistant system
- FOOGIENE - food & hygiene system
- BASE - backing-wall system

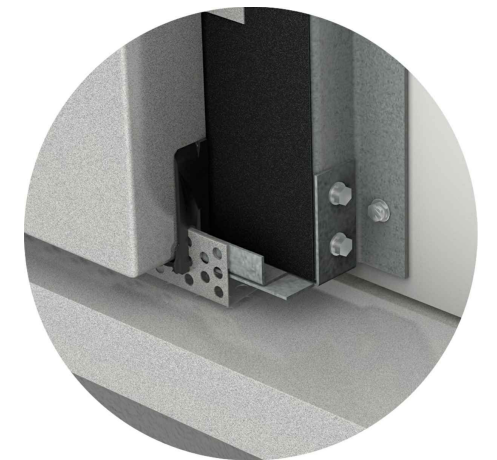
#### APPLICATION

- External Facade
- Internal Wall
- Flat Roof
- External Soffit
- Internal Ceiling
- Pitched Roof

#### DETAIL VIEW



#### FOCUS VIEW



#### ADVANTAGES

- Compatibility with various final cladding with load up to 60kg/m<sup>2</sup>
- Prefabrication
- Tolerances flexibility
- Fast installation

### EXTERNAL CORNER

Trimo Group holds full copyrights on the information and details provided on this media, therefore any unauthorized reproduction and distribution is strictly prohibited.



### VERTICAL INSTALLATION

## TRIMOTERM FTV

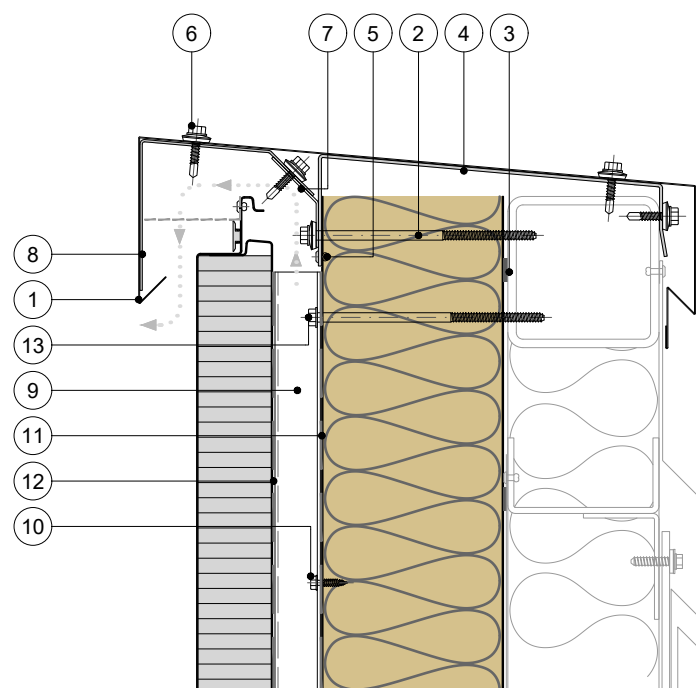
#### FUNCTION

- FIRE - fire-resistant system
- FOOGIENE - food & hygiene system
- BASE - backing-wall system

#### APPLICATION

- External Facade
- Internal Wall
- Flat Roof
- External Soffit
- Internal Ceiling
- Pitched Roof

#### VERTICAL CUT



POS.	ELEMENTS	SCALE: M 1:5
1	Parapet cap	
2	Fixing screw	
3	Sealing tape	
4	Parapet cap support profile	
5	Blind rivet	
6	Fixing screw	
7	Fixing profile	
8	Parapet cap support profile	
9	Omega rail	
10	Omega rail fixing screw - short	
11	Sealing tape	
12	Separation layer	
13	Omega rail fixing screw	

### PARAPET

Trimo Group holds full copyrights on the information and details provided on this media, therefore any unauthorized reproduction and distribution is strictly prohibited.



### HORIZONTAL INSTALLATION

## TRIMOTERM FTV

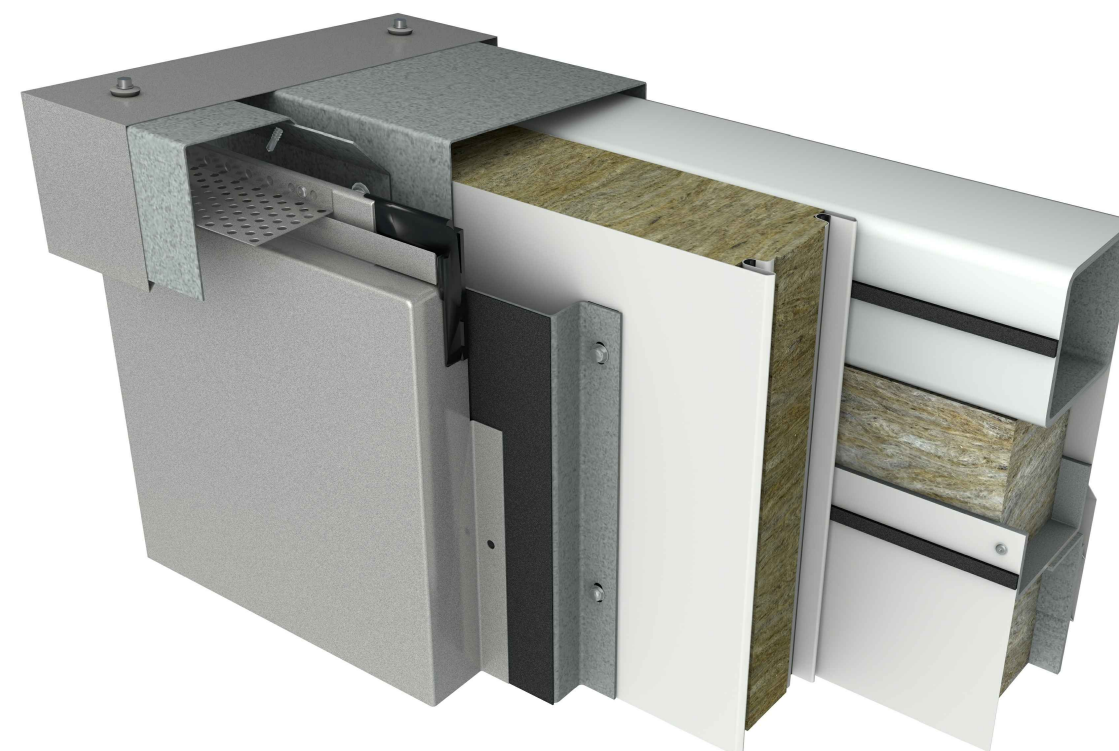
#### FUNCTION

- FIRE - fire-resistant system
- FOOGIENE - food & hygiene system
- BASE - backing-wall system

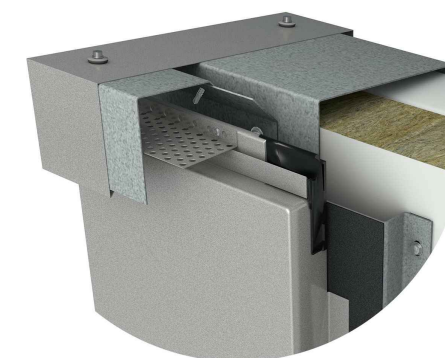
#### APPLICATION

- External Facade
- Internal Wall
- Flat Roof
- External Soffit
- Internal Ceiling
- Pitched Roof

#### DETAIL VIEW



#### FOCUS VIEW



#### ADVANTAGES

- Compatibility with various final cladding with load up to 60kg/m<sup>2</sup>
- Prefabrication
- Tolerances flexibility
- Fast installation

### EXTERNAL CORNER

Trimo Group holds full copyrights on the information and details provided on this media, therefore any unauthorized reproduction and distribution is strictly prohibited.



### VERTICAL INSTALLATION

## TRIMOTERM FTV

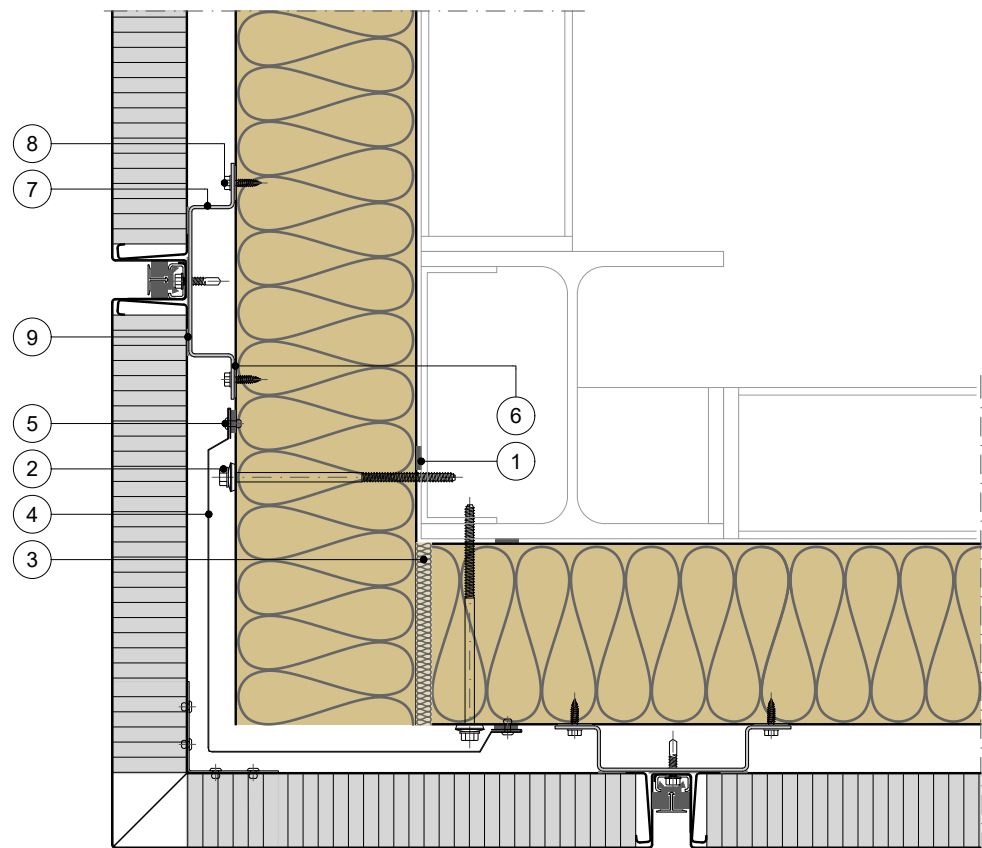
#### FUNCTION

- FIRE - fire-resistant system
- FOOGIENE - food & hygiene system
- BASE - backing-wall system

#### APPLICATION

- External Facade
- Internal Wall
- Flat Roof
- External Soffit
- Internal Ceiling
- Pitched Roof

#### HORIZONTAL CUT



POS.	ELEMENTS	SCALE: M 1:5
1	Sealing tape	
2	Fixing screw	
3	Thermal insulation	
4	Corner flashing	
5	Blind rivet	
6	Sealing tape	
7	Omega rail	
8	Omega rail fixing screw - short	
9	Separation layer	

### EXTERNAL CORNER

Trimo Group holds full copyrights on the information and details provided on this media, therefore any unauthorized reproduction and distribution is strictly prohibited.



### HORIZONTAL INSTALLATION

## TRIMOTERM FTV

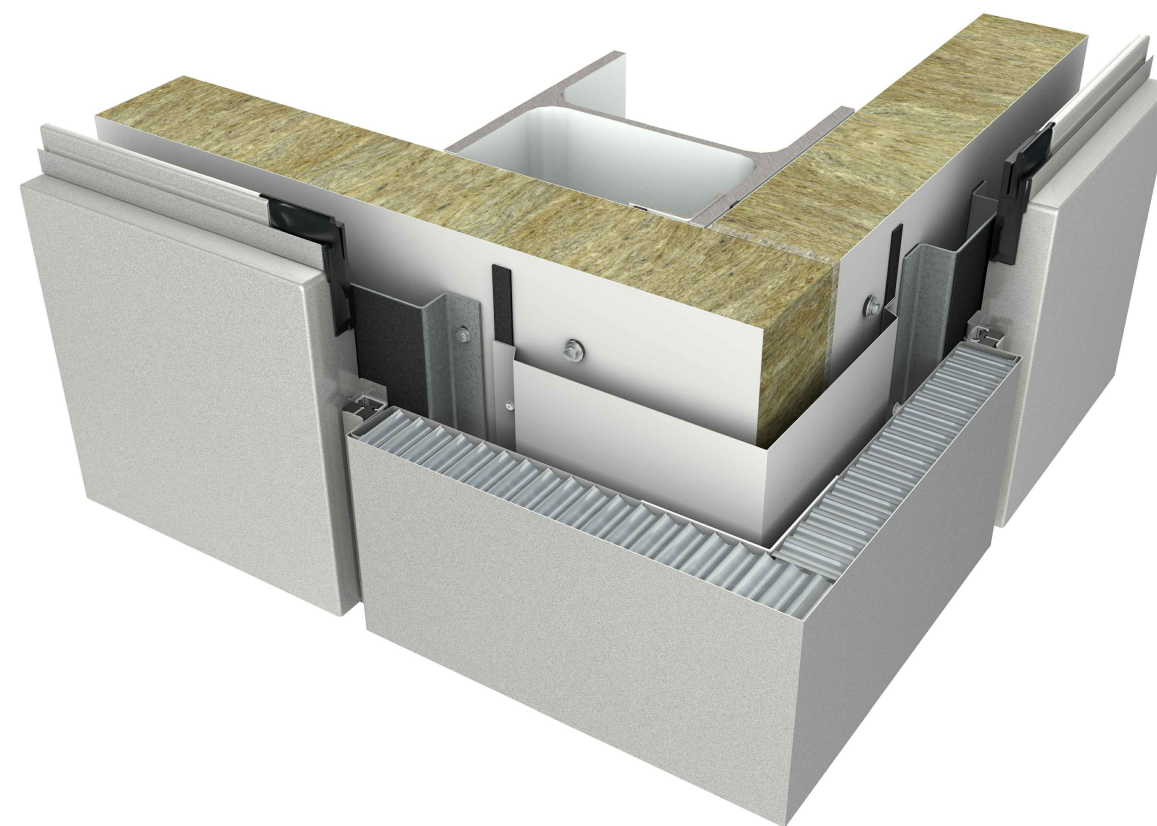
#### FUNCTION

- FIRE - fire-resistant system
- FOOGIENE - food & hygiene system
- BASE - backing-wall system

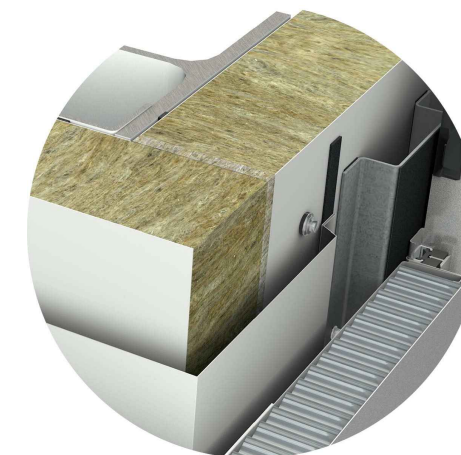
#### APPLICATION

- External Facade
- Internal Wall
- Flat Roof
- External Soffit
- Internal Ceiling
- Pitched Roof

#### DETAIL VIEW



#### FOCUS VIEW



#### ADVANTAGES

- Compatibility with various final cladding with load up to 60kg/m<sup>2</sup>
- Prefabrication
- Tolerances flexibility
- Fast installation

### EXTERNAL CORNER

Trimo Group holds full copyrights on the information and details provided on this media, therefore any unauthorized reproduction and distribution is strictly prohibited.



### VERTICAL INSTALLATION

## TRIMOTERM FTV

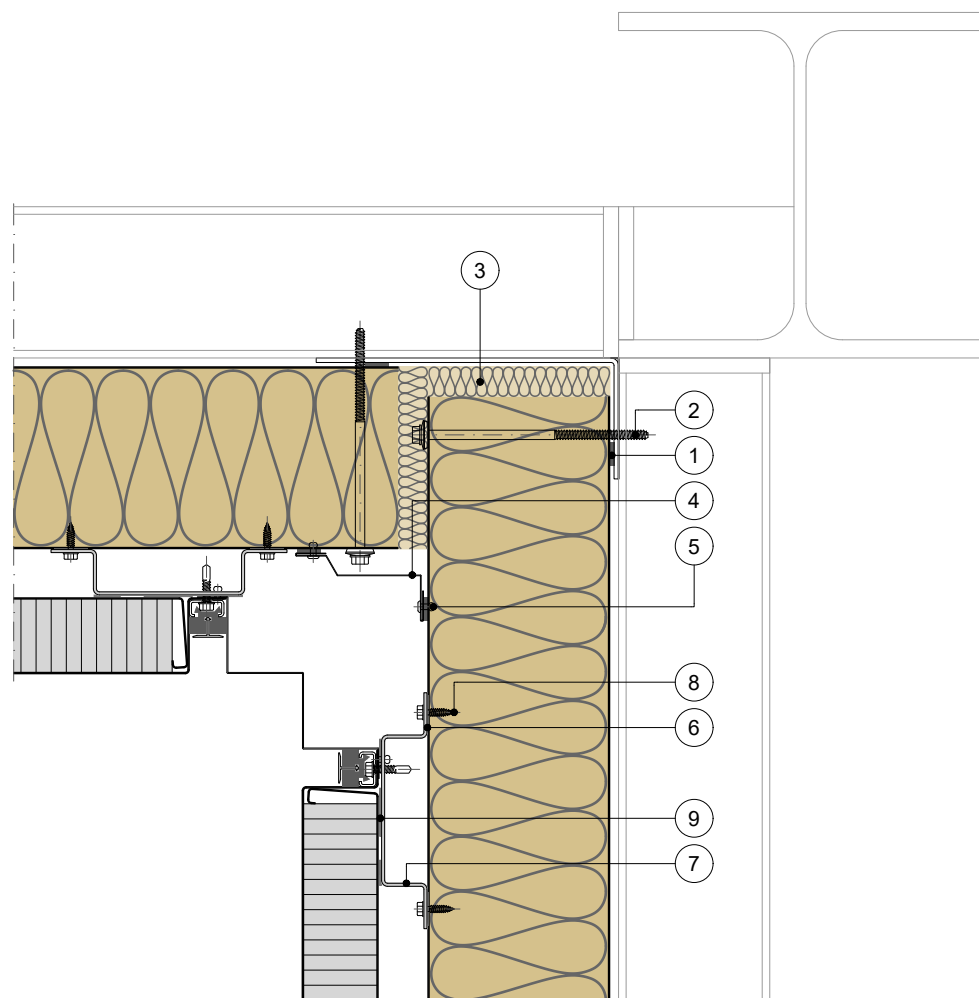
#### FUNCTION

- FIRE - fire-resistant system
- FOOGIENE - food & hygiene system
- BASE - backing-wall system

#### APPLICATION

- External Facade
- Internal Wall
- Flat Roof
- External Soffit
- Internal Ceiling
- Pitched Roof

#### HORIZONTAL CUT



POS.	ELEMENTS	SCALE: M 1:5
1	Sealing tape	
2	Fixing screw	
3	Thermal insulation	
4	Corner flashing	
5	Blind rivet	
6	Sealing tape	
7	Omega rail	
8	Omega rail fixing screw - short	
9	Separation layer	

### INTERNAL CORNER

Trimo Group holds full copyrights on the information and details provided on this media, therefore any unauthorized reproduction and distribution is strictly prohibited.



### HORIZONTAL INSTALLATION

## TRIMOTERM FTV

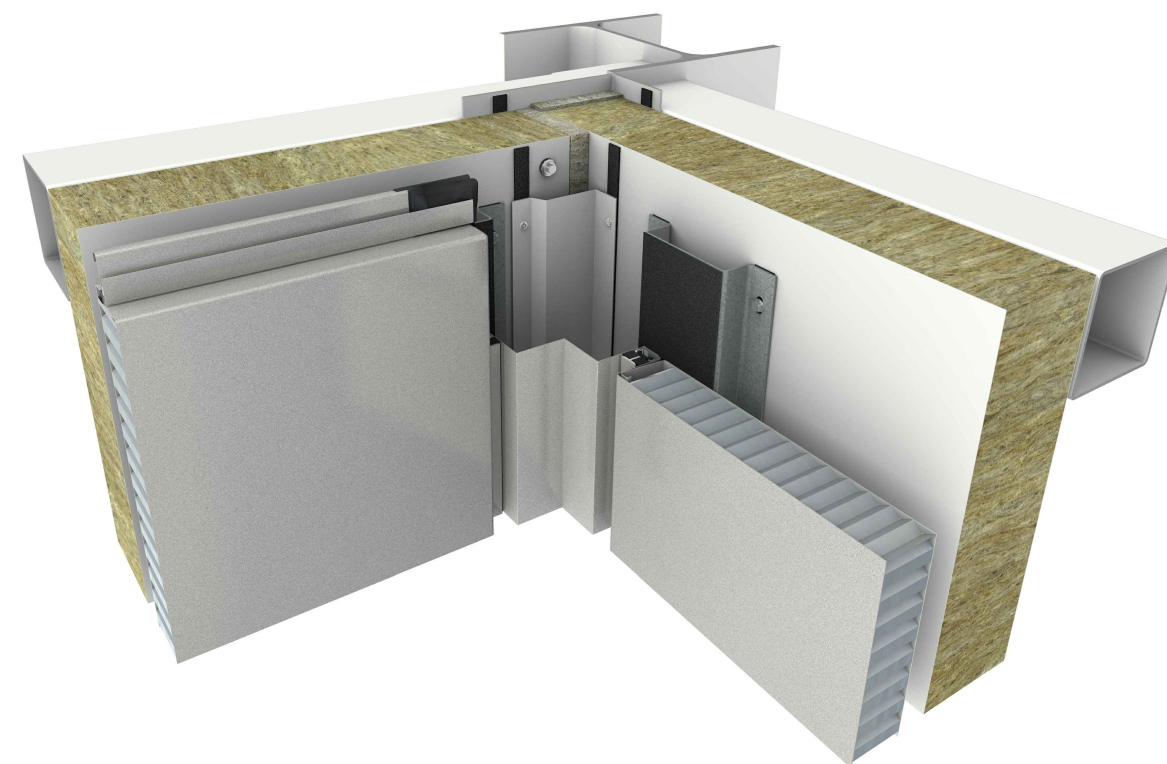
#### FUNCTION

- FIRE - fire-resistant system
- FOOGIENE - food & hygiene system
- BASE - backing-wall system

#### APPLICATION

- External Facade
- Internal Wall
- Flat Roof
- External Soffit
- Internal Ceiling
- Pitched Roof

#### DETAIL VIEW



#### FOCUS VIEW



#### ADVANTAGES

- Compatibility with various final cladding with load up to 60kg/m<sup>2</sup>
- Prefabrication
- Tolerances flexibility
- Fast installation

### EXTERNAL CORNER

Trimo Group holds full copyrights on the information and details provided on this media, therefore any unauthorized reproduction and distribution is strictly prohibited.



### VERTICAL INSTALLATION

## TRIMOTERM FTV

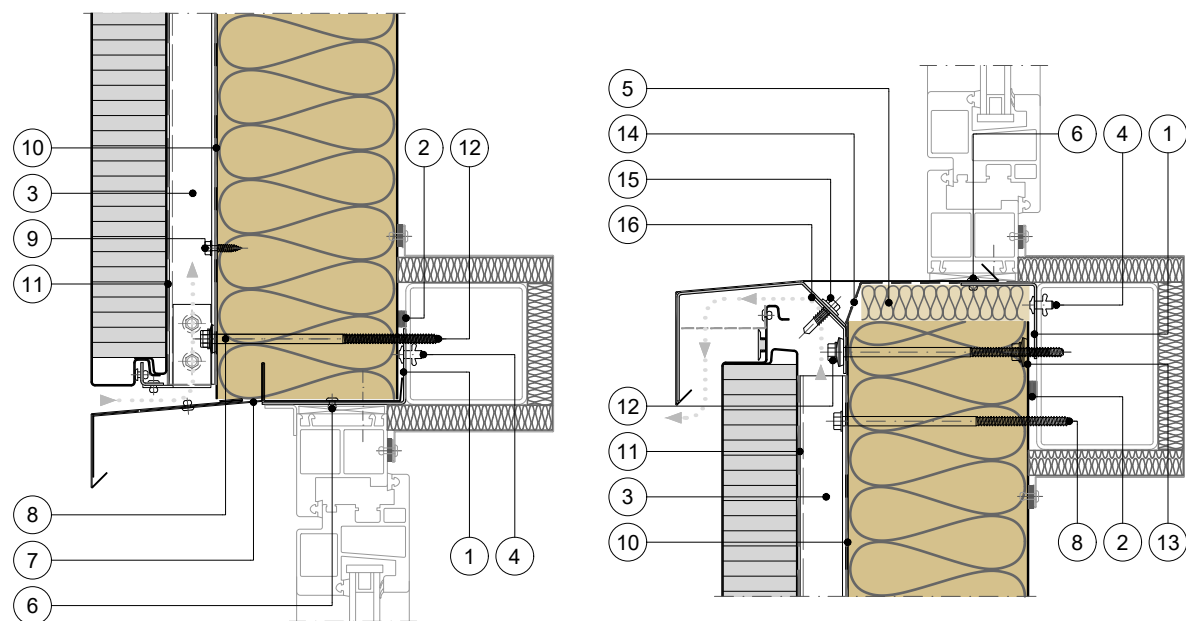
#### FUNCTION

- FIRE - fire-resistant system
- FOOGIENE - food & hygiene system
- BASE - backing-wall system

#### APPLICATION

- External Facade
- Internal Wall
- Flat Roof
- External Soffit
- Internal Ceiling
- Pitched Roof

#### VERTICAL CUT



POS.	ELEMENTS	SCALE: M 1:5
1	Support profile	
2	Sealing tape	
3	Omega rail	
4	Bulb tite rivet	
5	Thermal insulation	
6	Blind rivet	
7	Window head flashing	
8	Omega rail fixing screw	
9	Omega rail fixing screw - short	
10	Sealing tape	
11	Separation layer	
12	Fixing screw	
13	Fixing screw - short	
14	Vapour control layer - outer	
15	Fixing screw - short	
16	Fixing profile	

### WINDOW

Trimo Group holds full copyrights on the information and details provided on this media, therefore any unauthorized reproduction and distribution is strictly prohibited.



### HORIZONTAL INSTALLATION

## TRIMOTERM FTV

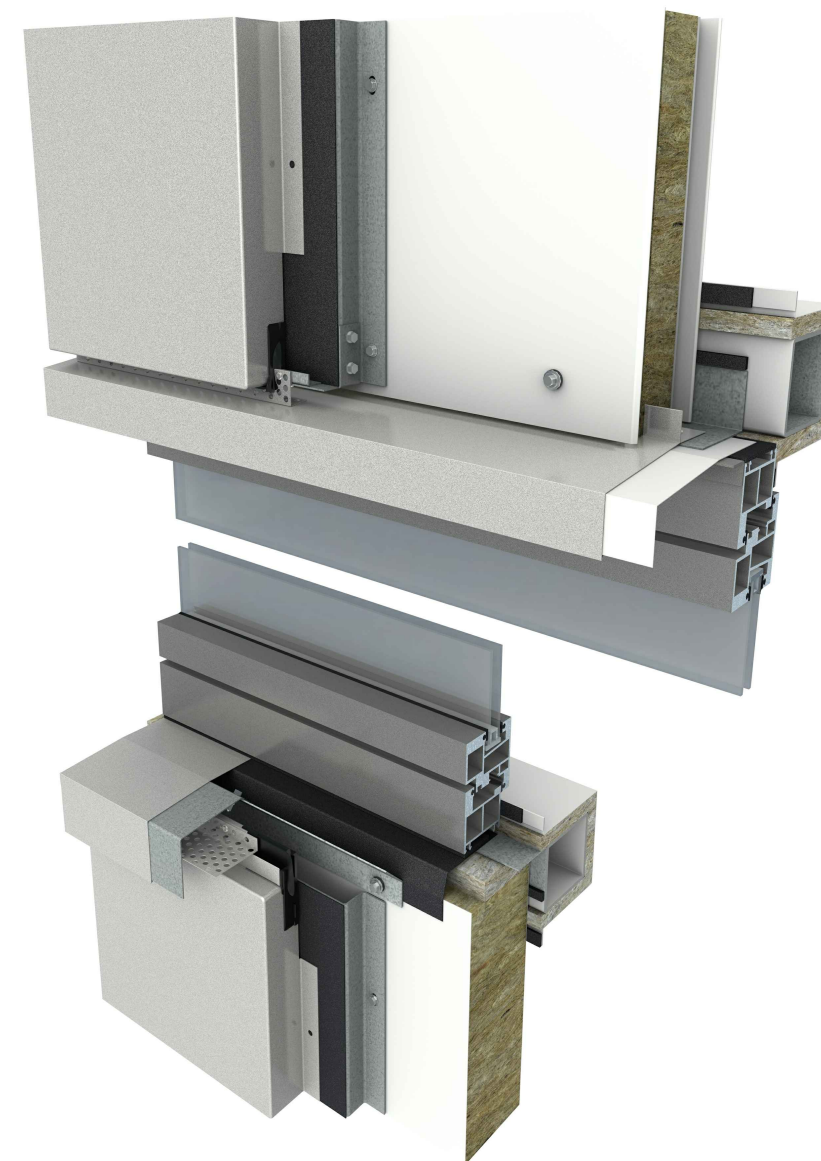
#### FUNCTION

- FIRE - fire-resistant system
- FOOGIENE - food & hygiene system
- BASE - backing-wall system

#### APPLICATION

- External Facade
- Internal Wall
- Flat Roof
- External Soffit
- Internal Ceiling
- Pitched Roof

#### DETAIL VIEW



#### FOCUS VIEW



#### ADVANTAGES

- Compatibility with various final cladding with load up to 60kg/m<sup>2</sup>
- Prefabrication
- Tolerances flexibility
- Fast installation

### EXTERNAL CORNER

Trimo Group holds full copyrights on the information and details provided on this media, therefore any unauthorized reproduction and distribution is strictly prohibited.





### VERTICAL INSTALLATION

## TRIMOTERM FTV

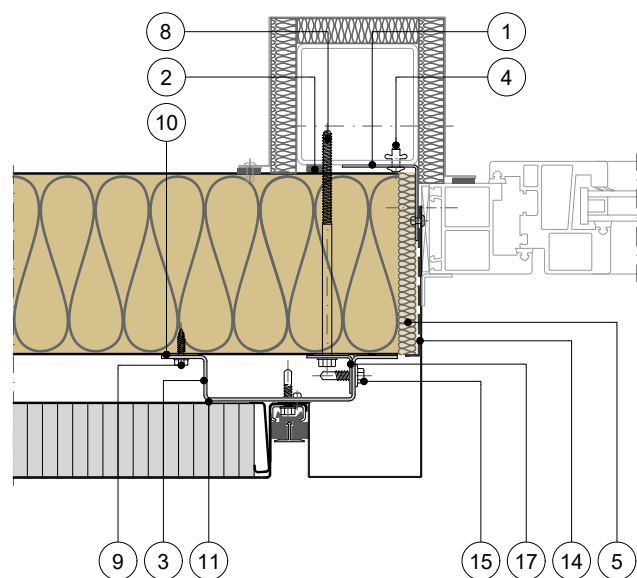
#### FUNCTION

- FIRE - fire-resistant system
- FOOGIENE - food & hygiene system
- BASE - backing-wall system

#### APPLICATION

- External Facade + External Soffit
- Internal Wall + Internal Ceiling
- Flat Roof  Pitched Roof

#### HORIZONTAL CUT



POS.	ELEMENTS	SCALE: M 1:5
1	Support profile	
2	Sealing tape	
3	Omega rail	
4	Bulb tite rivet	
5	Thermal insulation	
8	Omega rail fixing screw	
9	Omega rail fixing screw - short	
10	Sealing tape	
11	Separation layer	
14	Vapour control layer - outer	
15	Fixing screw - short	
17	Fixing profile	



### HORIZONTAL INSTALLATION

## TRIMOTERM FTV

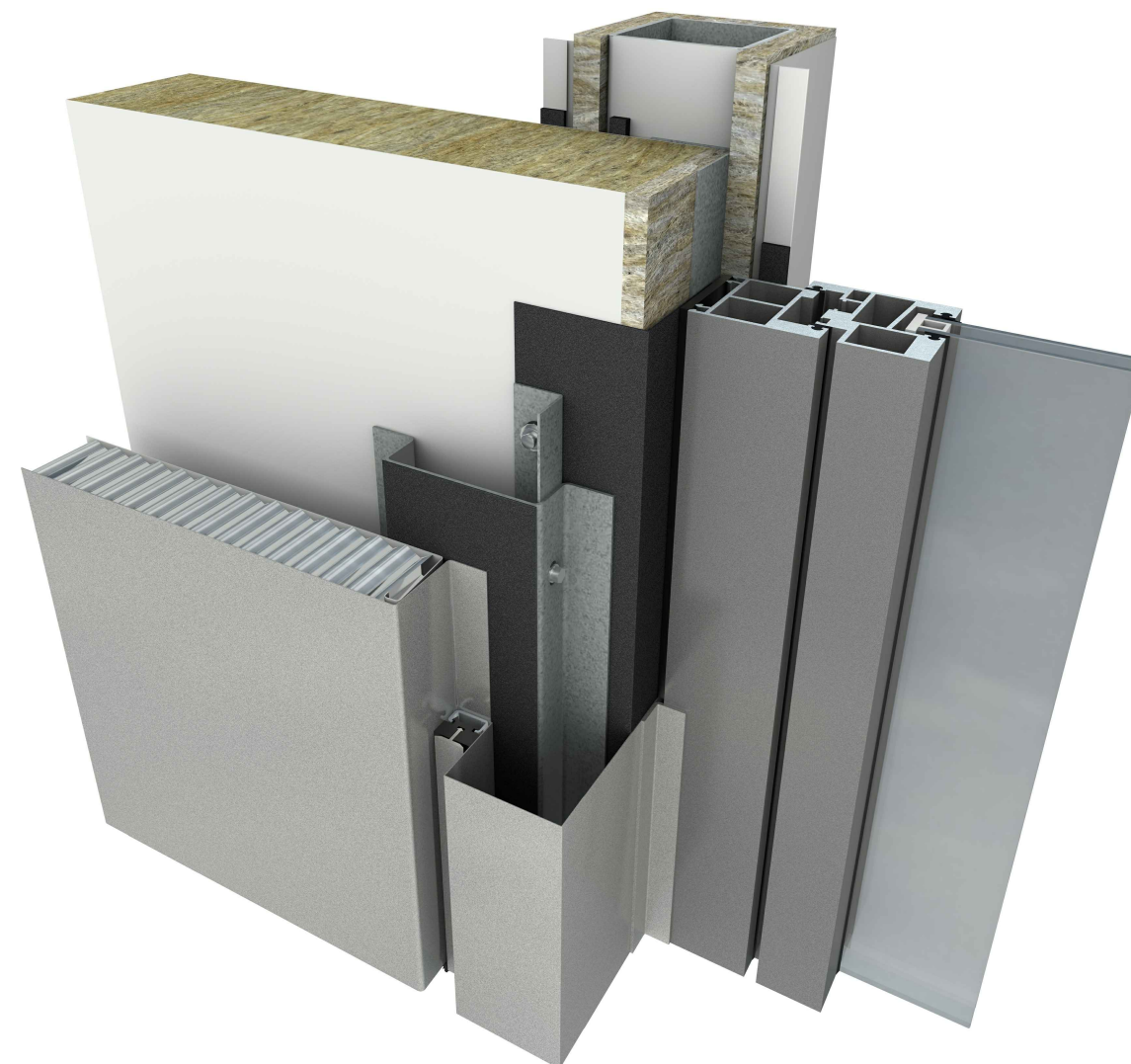
#### FUNCTION

- FIRE - fire-resistant system
- FOOGIENE - food & hygiene system
- BASE - backing-wall system

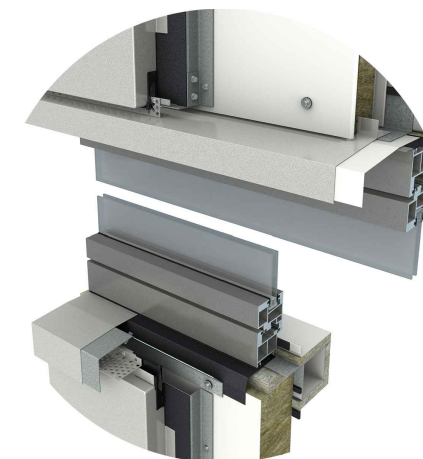
#### APPLICATION

- External Facade + External Soffit
- Internal Wall + Internal Ceiling
- Flat Roof  Pitched Roof

#### DETAIL VIEW



#### FOCUS VIEW



#### ADVANTAGES

- Compatibility with various final cladding with load up to 60kg/m<sup>2</sup>
- Prefabrication
- Tolerances flexibility
- Fast installation



### VERTICAL INSTALLATION

## TRIMOTERM FTV

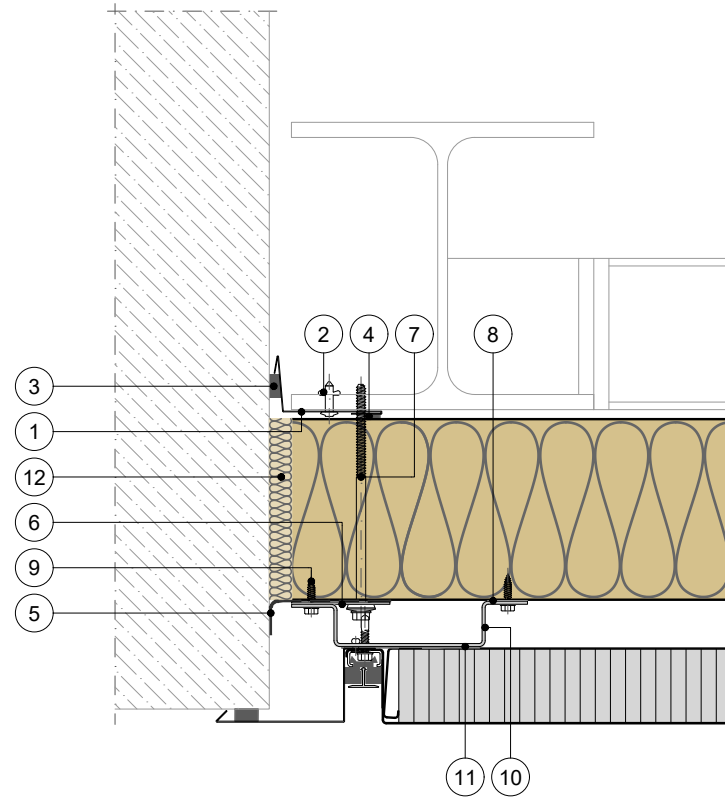
#### FUNCTION

- FIRE - fire-resistant system
- FOOGIENE - food & hygiene system
- BASE - backing-wall system

#### APPLICATION

- External Facade + External Soffit
- Internal Wall + Internal Ceiling
- Flat Roof  Pitched Roof

#### HORIZONTAL CUT



POS.	ELEMENTS	SCALE: M 1:5
1	Flashing	
2	Bulb tite rivet	
3	Sealing tape	
4	Sealing tape	
5	Vapour control layer - outer	
6	Fixing plate	
7	Fixing screw	
8	Sealing tape	
9	Omega rail fixing screw - short	
10	Omega rail	
11	Separation layer	
12	Thermal insulation	

### OTHER SYSTEM CONNECTION

Trimo Group holds full copyrights on the information and details provided on this media, therefore any unauthorized reproduction and distribution is strictly prohibited.



### HORIZONTAL INSTALLATION

## TRIMOTERM FTV

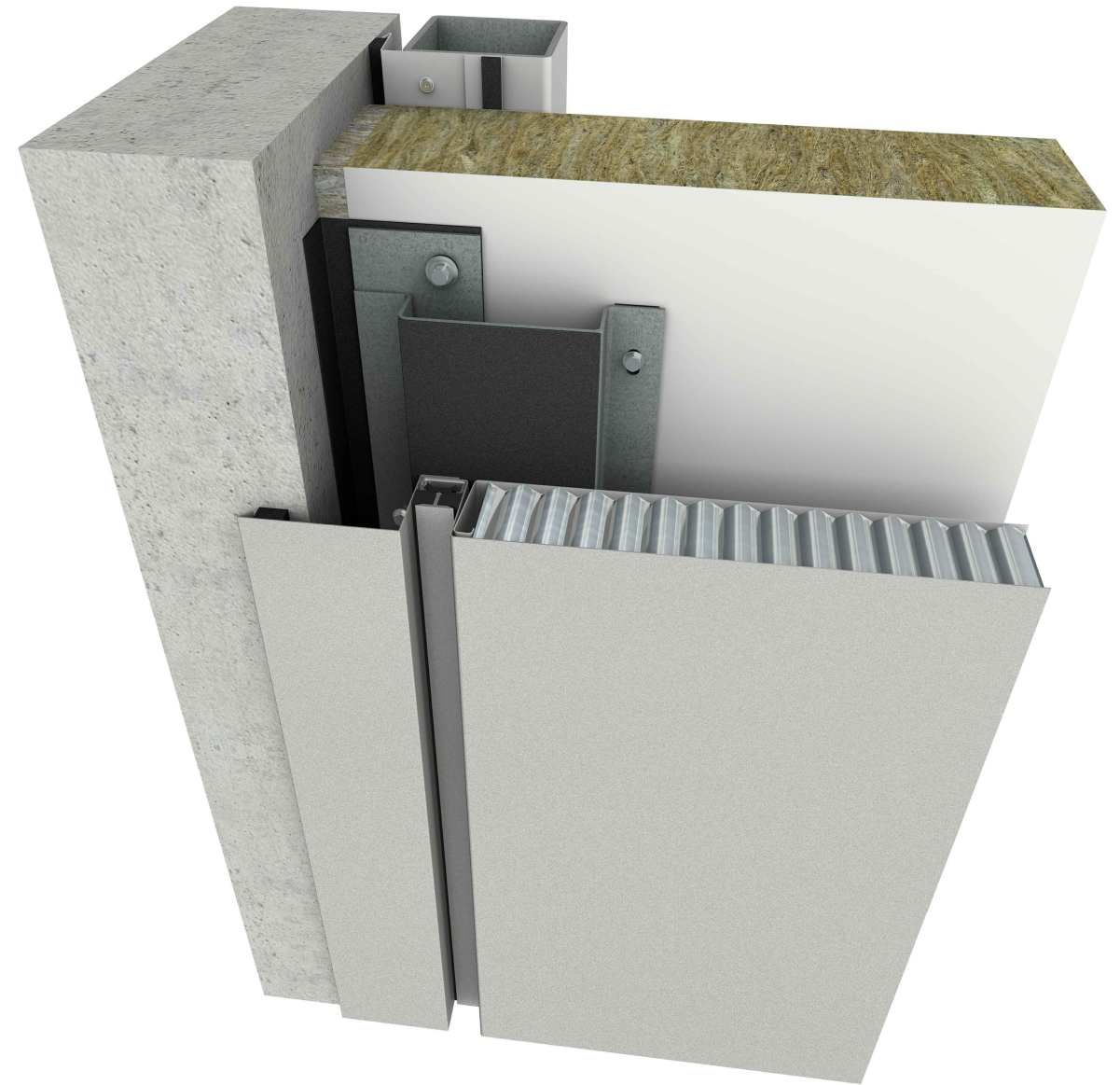
#### FUNCTION

- FIRE - fire-resistant system
- FOOGIENE - food & hygiene system
- BASE - backing-wall system

#### APPLICATION

- External Facade + External Soffit
- Internal Wall + Internal Ceiling
- Flat Roof  Pitched Roof

#### DETAIL VIEW



#### FOCUS VIEW



#### ADVANTAGES

- Compatibility with various final cladding with load up to 60kg/m<sup>2</sup>
- Prefabrication
- Tolerances flexibility
- Fast installation

### EXTERNAL CORNER

Trimo Group holds full copyrights on the information and details provided on this media, therefore any unauthorized reproduction and distribution is strictly prohibited.